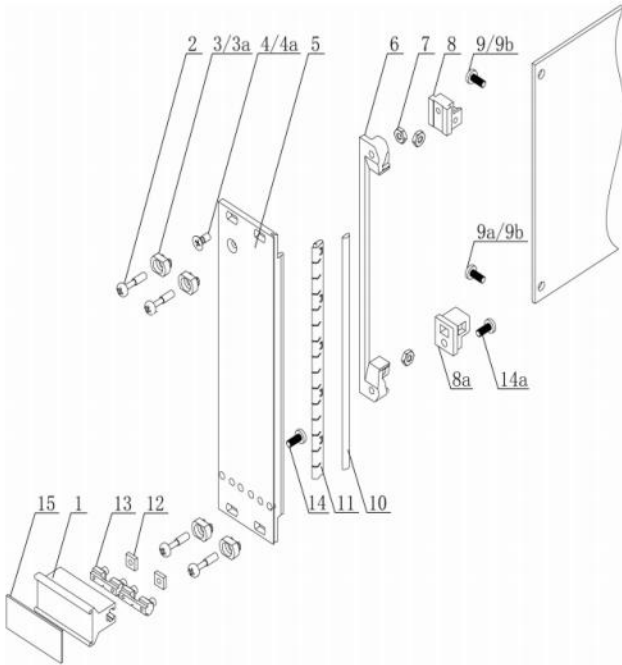
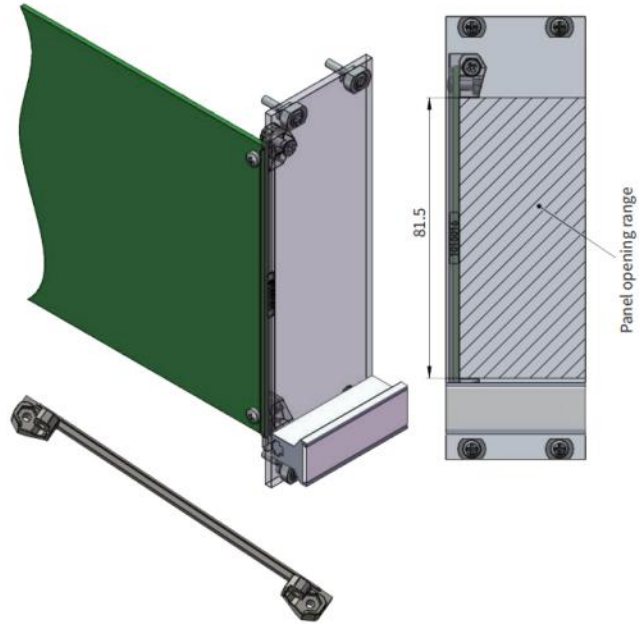


V Panel component

3U Panel component



3U PCB Board Installation dimension



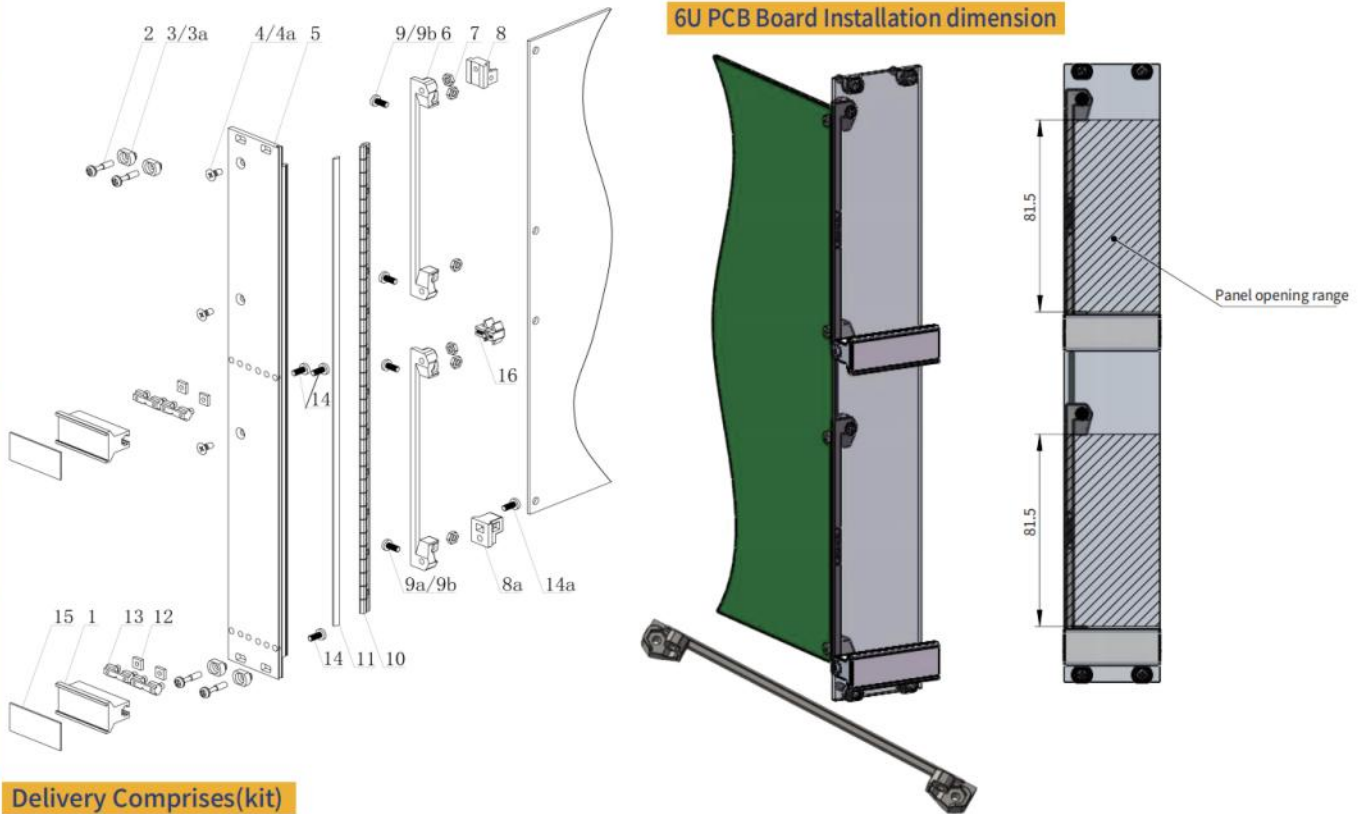
Delivery Comprises(kit)

Item	Name	Qty	Order no	Description
1	V-Handle	1	/	Install in the bottom panel
2	Captive screws	4	1004023	Cross/captive screws M2.5×12 Stainless steel
3	Metal sleeve	4	1014002	Plastic
3a	Metal sleeve	4	1014003	Brass
4	Panel fixing screws	1	1004011	Pozidrive c/sk screw M2.5×6 Stainless steel
4a	Panel fixing screws	1	1004015	Pozidrive c/sk screw M2.5×8 Stainless steel
5	U-shaped panels	1	/	Front anodised rear conductive
6	PCB bracket	1	1015016	PCB bracket, PC+20%GF,Grey, Plastic
7	Hex Nut	3	1005001	Hex Nut, M2.5, Stainless steel
8	Printed board bracket	1	1015001	Die-cast zinc
8a	Printed board bracket	1	1015005	PC+20%GF,Grey, It needs to be used together with one 9a and one 14a
9	PCB Set screw	1	1004004	Pan head Pozidrive c/sk screw M2.5×6 Stainless steel
9a	PCB Set screw	1	1004260	Pan head self-tapping screw M2.5×6 Stainless steel
9b	PCB Set screw	2	1004005	Pan head Pozidrive c/sk screw M2.5×8 Stainless steel
10	EMC textile gasket	1	1008038	EMC textile gasket
11	EMC gasket	1	1008015	EMC gasket
12	Square nut	2	1005002	Square nut, M2.5, Stainless steel
13	Plastic parts	2	1000066	Plastic parts, PC+20%GF,Grey
14	Set screw	1	1004004	Pan head Pozidrive c/sk screw M2.5×6 Stainless steel
14a	Set screw	1	1004005	Pan head Pozidrive c/sk screw M2.5×8 Stainless steel
15	Scutrcheon	1	/	Identification plate,AI,1.5mm

EK&EG PRO Series Subracks
EK+&EG+PRO Series Subracks
BEK&BEG PRO Series Subracks
Handle specification and accessories
Guide rail specification and accessories
19" CUR Series Subracks
SNCF Series Subracks
Shielded plug-in units Series Subracks
VERO Series Subracks
Protective Series Subracks
CASE Series Subracks
Type A Series Subracks
Rugged Subracks Side panel
IN-S Series Subracks
Subracks Accessories
Panel component
Order no. and page table

V Panel component

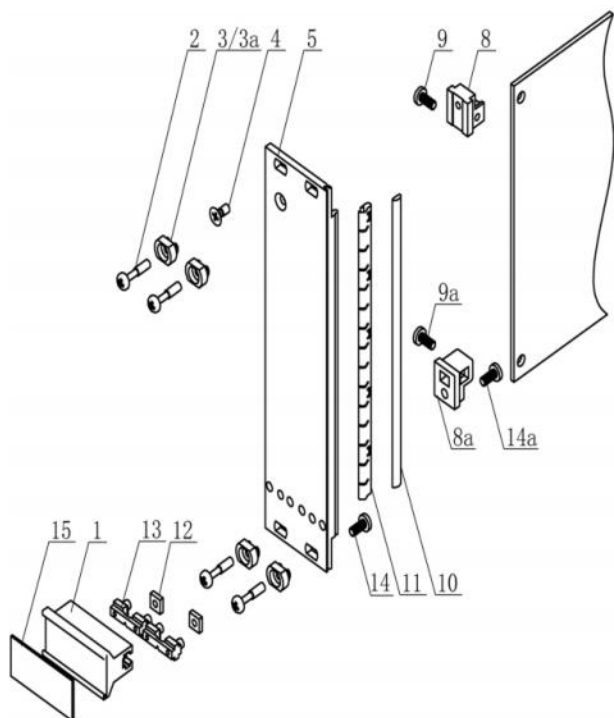
6U Panel component



Delivery Comprises(kit)

Item	Name	Qty	Order no	Description
1	V-Handle	2	/	Install in the bottom panel
2	Captive screws	4	1004023	Cross/captive screws M2.5×12 Stainless steel
3	Metal sleeve	4	1014002	Plastic
3a	Metal sleeve	4	1014003	Brass
4	Panel fixing screws	3	1004011	Pozidrive c/sk screw M2.5×6 Stainless steel
4a	Panel fixing screws	3	1004015	Pozidrive c/sk screw M2.5×8 Stainless steel
5	U-shaped panels	1	/	Front anodised rear conductive
6	PCB bracket	2	1015016	PCB bracket, PC+20%GF,Grey, Plastic
7	Hex Nut	6	1005001	Hex Nut, M2.5, Stainless steel
8	Printed board bracket	1	1015001	Die-cast zinc
8a	Printed board bracket	1	1015005	PC+20%GF,Grey, It needs to be used together with one 9a and one 14a
9	PCB Set screw	3	1004004	Pan head Pozidrive c/sk screw M2.5×6 Stainless steel
9a	PCB Set screw	1	1004260	Pan head self-tapping screw M2.5×6 Stainless steel
9b	PCB Set screw	1	1004005	Pan head Pozidrive c/sk screw M2.5×8 Stainless steel
10	EMC textile gasket	1	1008038	EMC textile gasket
11	EMC gasket	1	1008015	EMC gasket
12	Square nut	4	1005002	Square nut, M2.5, Stainless steel
13	Plastic parts	4	1000066	Plastic parts, PC+20%GF,Grey
14	Set screw	3	1004004	Pan head Pozidrive c/sk screw M2.5×6 Stainless steel
14a	Set screw	1	1004005	Pan head Pozidrive c/sk screw M2.5×8 Stainless steel
15	Scutrcheon	2	/	Identification plate,Al,1.5mm
16	PCB Centre support	1	1015015	Centre support for printed boards, PC+20%GF

3U Panel component



Panel profile



I profile

II profile

III profile

Delivery Comprises(kit)

Item	Name	Qty	Order no	Description
1	V-Handle	1	/	Install in the bottom panel
2	Captive screws	4	1004023	Cross/captive screws M2.5×12 Stainless steel
3	Metal sleeve	4	1014002	Plastic
3a	Metal sleeve	4	1014003	Brass
4	Panel fixing screws	1	1004011	Pozidrive c/sk screw M2.5×6 Stainless steel
5	U-shaped panels	1	/	Front anodised rear conductive
8	Printed board bracket	1	1015001	Die-cast zinc
8a	Printed board bracket	1	1015005	PC+20%GF,Grey,It needs to be used together with one 9a and one 14a
9	PCB Set screw	1	1004004	Pan head Pozidrive c/sk screw M2.5×6 Stainless steel
9a	PCB Set screw	1	1004260	Pan head self-tapping screw M2.5×8 Stainless steel
10	EMC textile gasket	1	1008038	EMC textile gasket
11	EMC gasket	1	1008015	EMC gasket
12	Square nut	2	1005002	Square nut, M2.5, Stainless steel
13	Plastic parts	2	1000066	Plastic parts,PC+20%GF,Grey
14	Set screw	1	1004004	Pan head Pozidrive c/sk screw M2.5×6 Stainless steel
14a	Set screw	1	1004005	Pan head Pozidrive c/sk screw M2.5×8 Stainless steel
15	Scutcheon	1	/	Identification plate,AI,1.5mm

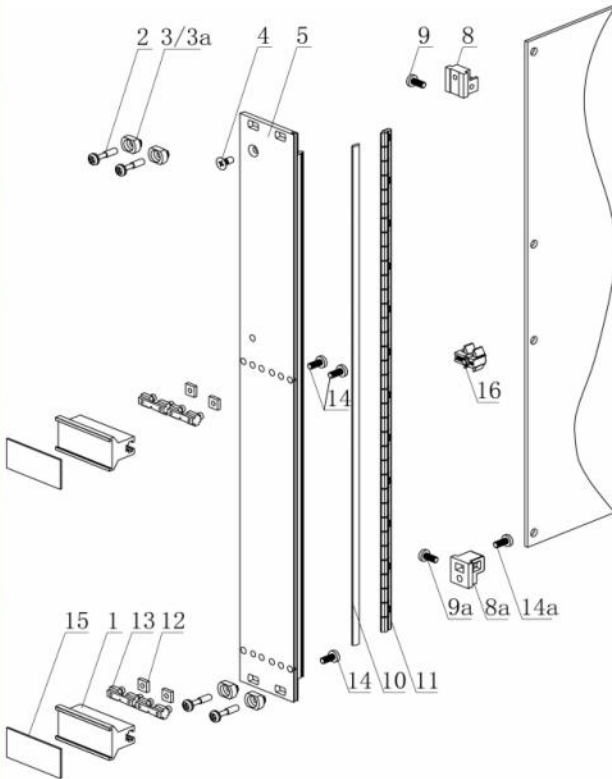
V Handle order information

Width	I Panel	II Panel	III Panel	Panel	EMCgasket	Grey handle	Order no
4HP	1				1	1	30401011
4HP		1			1	1	30401021
4HP			1		1	1	30401031
4HP				1	1	1	30401041
5HP	1				1	1	30501011
5HP		1			1	1	30501021
5HP			1		1	1	30501031
5HP				1	1	1	30501041
6HP	1				1	1	30601011
6HP		1			1	1	30601021
6HP			1		1	1	30601031
6HP				1	1	1	30601041
7HP	1				1	1	30701011
7HP		1			1	1	30701021
7HP			1		1	1	30701031
7HP				1	1	1	30701041
8HP	1				1	1	30801011
8HP		1			1	1	30801021
8HP			1		1	1	30801031
8HP				1	1	1	30801041
10HP	1				1	1	31001011
10HP		1			1	1	31001021
10HP			1		1	1	31001031
10HP				1	1	1	31001041
12HP	1				1	1	31201011
12HP		1			1	1	31201021
12HP			1		1	1	31201031
12HP				1	1	1	31201041

V Panel component



6U Panel component



Panel profile



I profile

II profile

III profile

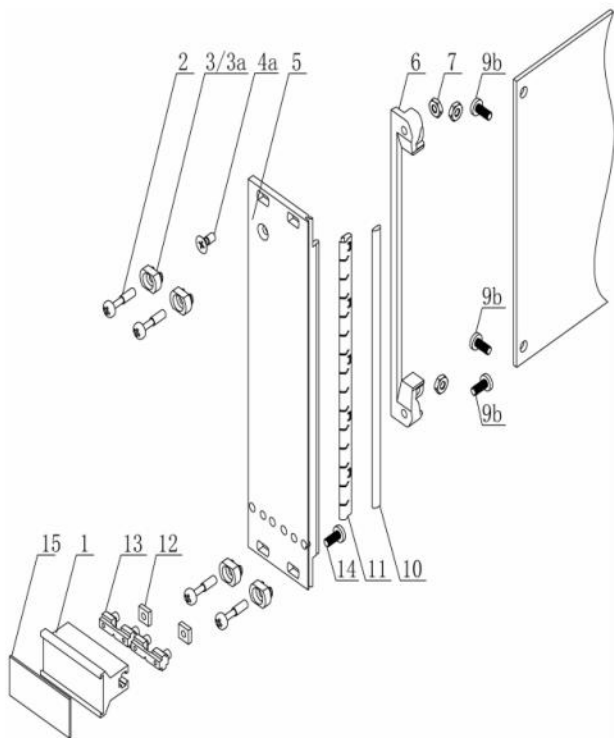
Delivery Comprises(kit)

Item	Name	Qty	Order no	Description
1	V-Handle	2	/	Install in the bottom panel
2	Captive screws	4	1004023	Cross/captive screws M2.5×12 Stainless steel
3	Metal sleeve	4	1014002	Plastic
3a	Metal sleeve	4	1014003	Brass
4	Panel fixing screws	2	1004011	Pozidrive c/sk screw M2.5×6 Stainless steel
5	U-shaped panels	1	/	Front anodised rear conductive
8	Printed board bracket	1	1015001	Die-cast zinc
8a	Printed board bracket	1	1015005	PC+20%GF,Grey, It needs to be used together with one 9a and one 14a
9	PCB Set screw	1	1004004	Pan head Pozidrive c/sk screw M2.5×6 Stainless steel
9a	PCB Set screw	1	1004260	Pan head self-tapping screw M2.5×8 Stainless steel
10	EMC textile gasket	1	1008038	EMC textile gasket
11	EMC gasket	1	1008015	EMC gasket
12	Square nut	4	1005002	Square nut, M2.5, Stainless steel
13	Plastic parts	4	1000066	Plastic parts, PC+20%GF, Grey
14	Set screw	3	1004004	Pan head Pozidrive c/sk screw M2.5×6 Stainless steel
14a	Set screw	1	1004005	Pan head Pozidrive c/sk screw M2.5×8 Stainless steel
15	Scutcheon	2	/	Identification plate Al, 1.5mm
16	PCB Centre support	1	1015015	Centre support for printed boards, PC+20%GF

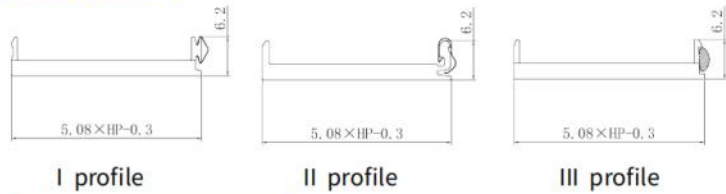
V Handle order information

Width	I Panel	II Panel	III Panel	Panel	EMCgasket	Grey handle	Order no
4HP	1				1	1	60401011
4HP		1			1	1	60401021
4HP			1		1	1	60401031
4HP				1	1	1	60401041
5HP	1				1	1	60501011
5HP		1			1	1	60501021
5HP			1		1	1	60501031
5HP				1	1	1	60501041
6HP	1				1	1	60601011
6HP		1			1	1	60601021
6HP			1		1	1	60601031
6HP				1	1	1	60601041
7HP	1				1	1	60701011
7HP		1			1	1	60701021
7HP			1		1	1	60701031
7HP				1	1	1	60701041
8HP	1				1	1	60801011
8HP		1			1	1	60801021
8HP			1		1	1	60801031
8HP				1	1	1	60801041
10HP	1				1	1	61001011
10HP		1			1	1	61001021
10HP			1		1	1	61001031
10HP				1	1	1	61001041
12HP	1				1	1	61201011
12HP		1			1	1	61201021
12HP			1		1	1	61201031
12HP				1	1	1	61201041

3U Panel component



Panel profile



I profile

II profile

III profile

Delivery Comprises(kit)

Item	Name	Qty	Order no	Description
1	V-Handle	1	/	Install in the bottom panel
2	Captive screws	4	1004023	Cross/captive screws M2.5×12 Stainless steel
3	Metal sleeve	4	1014002	Plastic
3a	Metal sleeve	4	1014003	Brass
4a	Panel fixing screws	1	1004015	Pozidrive c/sk screw M2.5×8 Stainless steel
5	U-shaped panels	1	/	Front anodised rear conductive
6	PCB bracket	1	1015016	PCB bracket, PC+20%GF,Grey, Plastic
7	Hex Nut	3	1005001	Hex Nut, M2.5, Stainless steel
9b	PCB Set screw	3	1004005	Pan head Pozidrive c/sk screw M2.5×8 Stainless steel
10	EMC textile gasket	1	1008038	EMC textile gasket
11	EMCgasket	1	1008015	EMC gasket
12	Square nut	2	1005002	Square nut, M2.5, Stainless steel
13	Plastic parts	2	1000066	Plastic parts, PC+20%GF,Grey
14	Set screw	1	1004004	Pan head Pozidrive c/sk screw M2.5×6 Stainless steel
15	Scutcheon	1	/	Identification plate,Al,1.5mm

V Handle order information

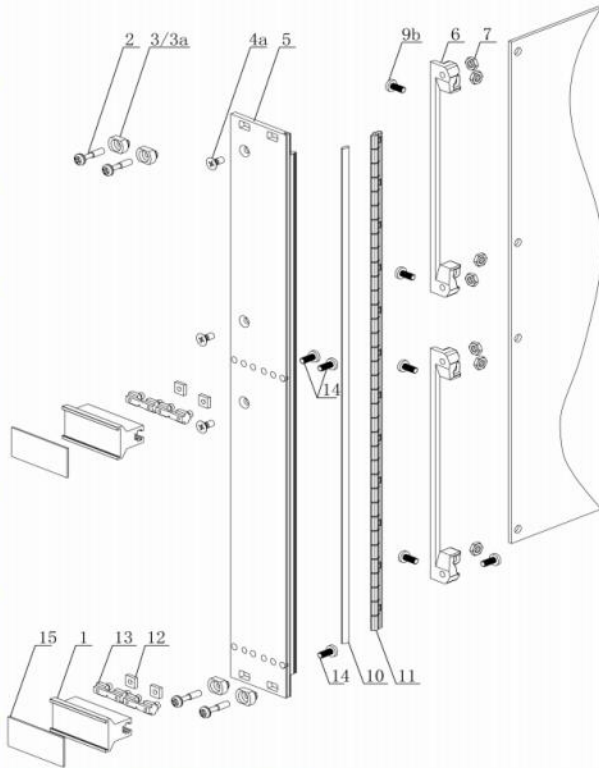
Width	I Panel	II Panel	III Panel	Panel	EMCgasket	Grey handle	Order no
4HP	1				1	1	30401012
4HP		1			1	1	30401022
4HP			1		1	1	30401032
4HP				1	1	1	30401042
5HP	1				1	1	30501012
5HP		1			1	1	30501022
5HP			1		1	1	30501032
5HP				1	1	1	30501042
6HP	1				1	1	30601012
6HP		1			1	1	30601022
6HP			1		1	1	30601032
6HP				1	1	1	30601042
7HP	1				1	1	30701012
7HP		1			1	1	30701022
7HP			1		1	1	30701032
7HP				1	1	1	30701042
8HP	1				1	1	30801012
8HP		1			1	1	30801022
8HP			1		1	1	30801032
8HP				1	1	1	30801042
10HP	1				1	1	31001012
10HP		1			1	1	31001022
10HP			1		1	1	31001032
10HP				1	1	1	31001042
12HP	1				1	1	31201012
12HP		1			1	1	31201022
12HP			1		1	1	31201032
12HP				1	1	1	31201042

EK&EG PRO Series Subracks
 EK&EG+ PRO Series Subracks
 BEK&BEG PRO Series Subracks
 Handle specification and accessories
 Guide rail specification and accessories
 19" CUR Series Subracks
 SNCF Series Subracks
 Shielded plug-in units Series Subracks
 VERO Series Subracks
 Protective Series Subracks
 CASE Series Subracks
 Type A Series Subracks
 Rugged Subracks Side panel
 IN-S Series Subracks
 Subracks Accessories
 Panel component
 Order no. and page Table

V Panel component



6U Panel component



Panel profile



I profile

II profile

III profile

Delivery Comprises(kit)

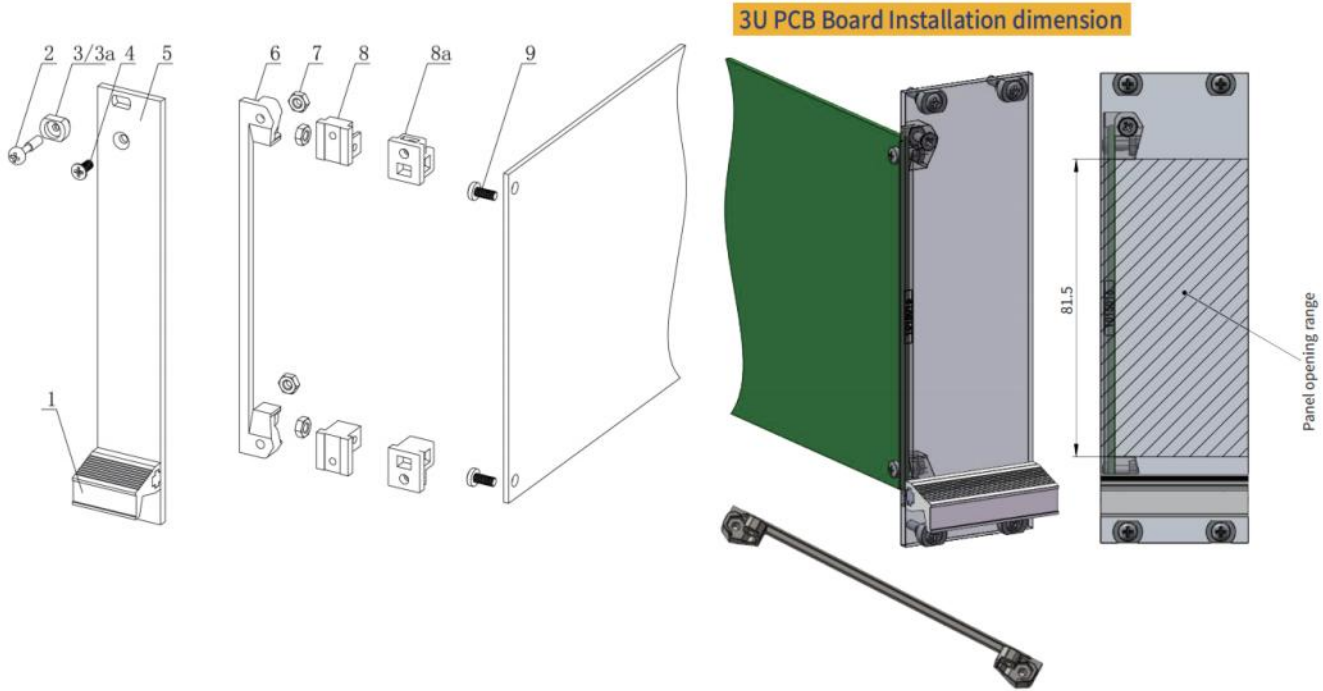
Item Name	Qty	Order no	Description
1 V-Handle	2	/	Install in the bottom panel
2 Captive screws	4	1004023	Cross/captive screws M2.5×12 Stainless steel
3 Metal sleeve	4	1014002	Plastic
3a Metal sleeve	4	1014003	Brass
4a Panel fixing screws	1	1004015	Pozidrive c/sk screw M2.5×8 Stainless steel
5 U-shaped panels	1	/	Front anodised rear conductive
6 PCB bracket	2	1015016	PCB bracket, PC+20%GF,Grey, Plastic
7 Hex Nut	7	1005001	Hex Nut, M2.5, Stainless steel
9b PCB Set screw	5	1004005	Pan head Pozidrive c/sk screw M2.5×8 Stainless steel
10 EMC textile gasket	1	1008038	EMC textile gasket
11 EMCgasket	1	1008015	EMC gasket
12 Square nut	4	1005002	Square nut, M2.5, Stainless steel
13 Plastic parts	4	1000066	Plastic parts, PC+20%GF,Grey
14 Set screw	3	1004004	Pan head Pozidrive c/sk screw M2.5×6 Stainless steel
15 Scutcheon	2	/	Identification plate,Al,1.5mm

V Handle order information

Width	I Panel	II Panel	III Panel	Panel	EMCgasket	Grey handle	Order no
4HP	1				1	1	60401012
4HP		1			1	1	60401022
4HP			1		1	1	60401032
4HP				1	1	1	60401042
5HP	1				1	1	60501012
5HP		1			1	1	60501022
5HP			1		1	1	60501032
5HP				1	1	1	60501042
6HP	1				1	1	60601012
6HP		1			1	1	60601022
6HP			1		1	1	60601032
6HP				1	1	1	60601042
7HP	1				1	1	60701012
7HP		1			1	1	60701022
7HP			1		1	1	60701032
7HP				1	1	1	60701042
8HP	1				1	1	60801012
8HP		1			1	1	60801022
8HP			1		1	1	60801032
8HP				1	1	1	60801042
10HP	1				1	1	61001012
10HP		1			1	1	61001022
10HP			1		1	1	61001032
10HP				1	1	1	61001042
12HP	1				1	1	61201012
12HP		1			1	1	61201022
12HP			1		1	1	61201032
12HP				1	1	1	61201042

VI Panel component

3U Panel component



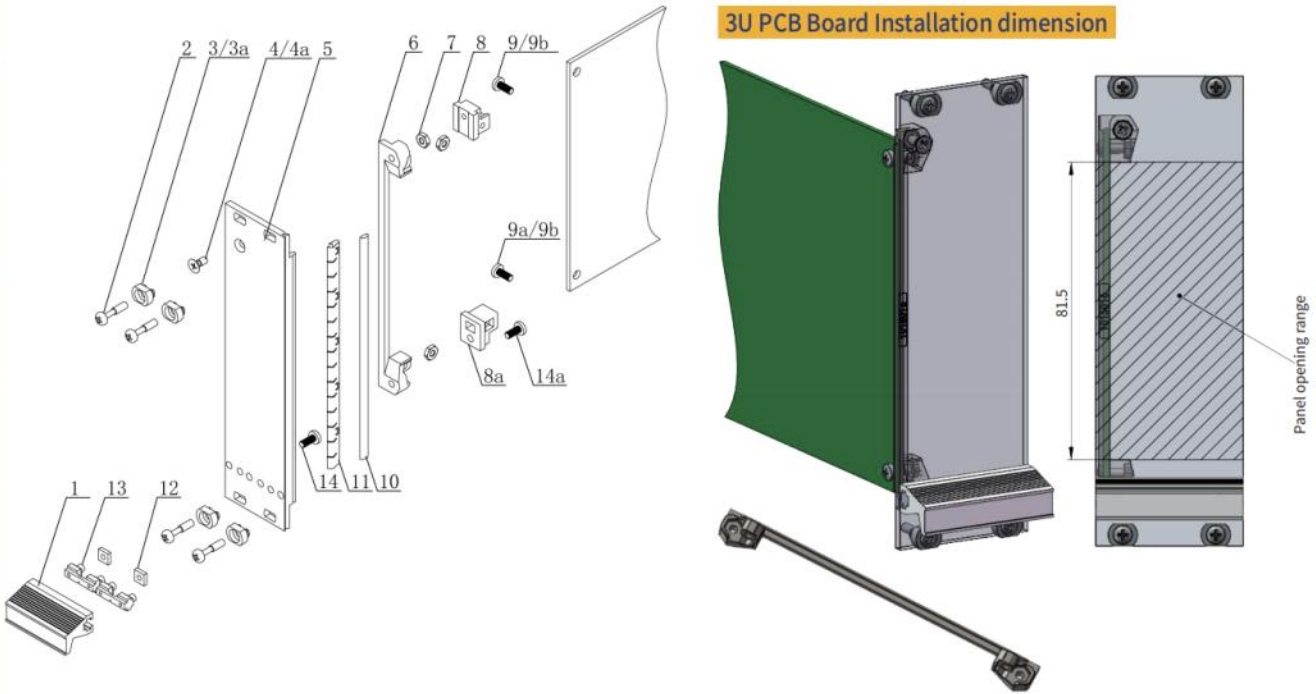
Delivery Comprises(kit)

Item	Name	Qty	Order no	Description
1	VI-Handle	1	/	Install in the bottom panel
2	Captive screws	1	1004023	Cross/captive screws M2.5×12 Stainless steel
3	Metal sleeve	1	1014002	Plastic
3a	Metal sleeve	1	1014003	Brass
4	Panel fixing screws	1	1004011	Pozidrive c/sk screw M2.5×6 Stainless steel
5	U-shaped panels	1	/	Front anodised rear conductive
6	PCB bracket	1	1015016	PCB bracket, PC+20%GF, Grey, Plastic
7	Hex Nut	4	1005001	Hex Nut, M2.5, Stainless steel
8	Printed board bracket	1	1015001	Printed board bracket, Die-cast zinc
8a	Printed board bracket	1	1015005	Printed board bracket, PC+20%GF,
9	PCB Set screw	2	1004004	Pan head Pozidrive c/sk screw M2.5×6 Stainless steel

EK&EG PRO Series Sub racks
EK+EG+ PRO Series Sub racks
BEM&BEG PRO Series Sub racks
Handle specification and accessories
Guide rail specification and accessories
19" CUR Series Sub racks
SNCF Series Sub racks
Shielded plug-in units Series Sub racks
VERO Series Sub racks
Protective Series Sub racks
CASE Series Sub racks
Type A Series Sub racks
Rugged Sub racks Side panel
IN-S Series Sub racks
Sub racks Accessories
Panel component
Order no. and page Table

VI Panel component

3U Panel component



3U PCB Board Installation dimension

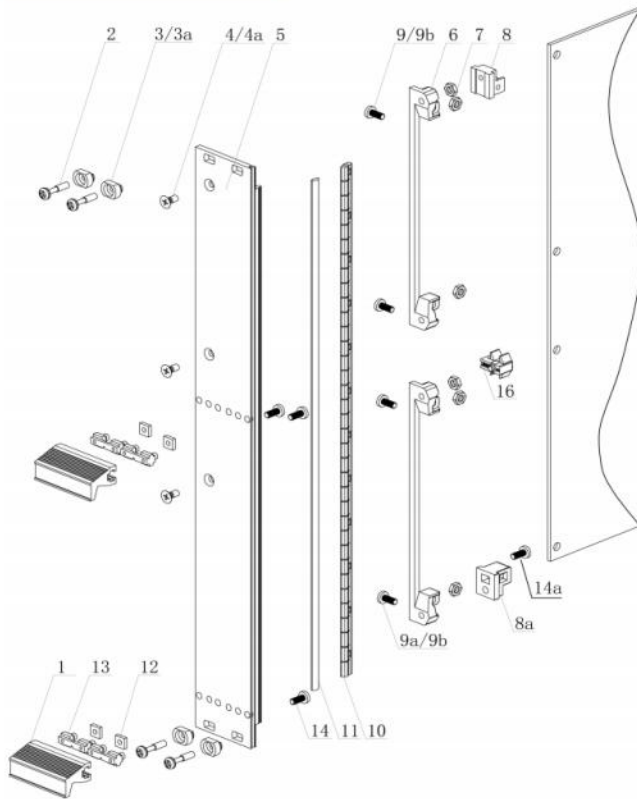
Delivery Comprises(kit)

Item	Name	Qty	Order no	Description
1	VI-Handle	1	/	Install in the bottom panel
2	Captive screws	4	1004023	Cross/captive screws M2.5×12 Stainless steel
3	Metal sleeve	4	1014002	Plastic
3a	Metal sleeve	4	1014003	Brass
4	Panel fixing screws	1	1004011	Pozidrive c/sk screw M2.5×6 Stainless steel
4a	Panel fixing screws	1	1004015	Pozidrive c/sk screw M2.5×8 Stainless steel
5	U-shaped panels	1	/	Front anodised rear conductive
6	PCB bracket	1	1015016	PCB bracket, PC+20%GF,Grey, Plastic
7	Hex Nut	3	1005001	Hex Nut, M2.5, Stainless steel
8	Printed board bracket	1	1015001	Printed board bracket,Die-cast zinc
8a	Printed board bracket	1	1015005	PC+20%GF,Grey, It needs to be used together with one 9a and one 14a
9	PCB Set screw	1	1004004	Pan head Pozidrive c/sk screw M2.5×6 Stainless steel
9a	PCB Set screw	1	1004260	Pan head self-tapping screw M2.5×6 Stainless steel
9b	PCB Set screw	2	1004005	Pan head Pozidrive c/sk screw M2.5×8 Stainless steel
10	EMC textile gasket	1	1008038	EMC textile gasket
11	EMC gasket	1	1008015	EMC gasket
12	Square nut	2	1005002	Square nut, M2.5, Stainless steel
13	Plastic parts	2	1000066	Plastic parts, PC+20%GF,Grey
14	Set screw	1	1004004	Pan head Pozidrive c/sk screw M2.5×6 Stainless steel
14a	Set screw	1	1004005	Pan head Pozidrive c/sk screw M2.5×8 Stainless steel

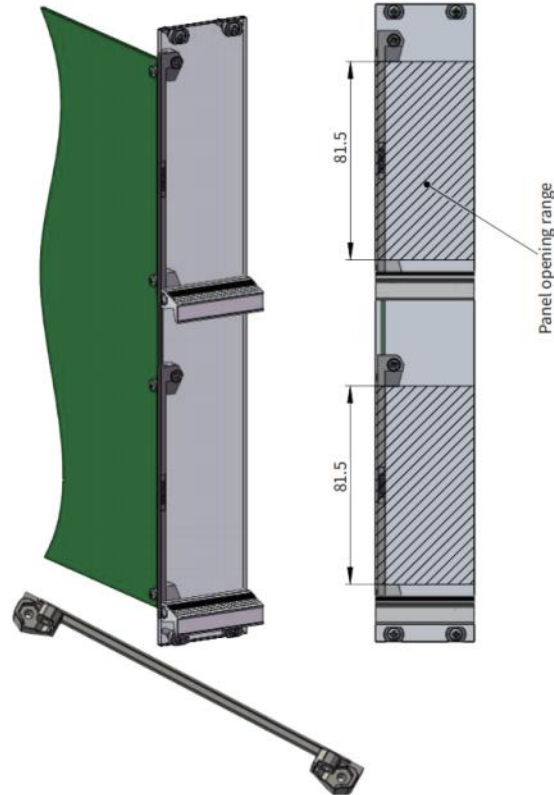
VI Panel component



3U Panel component



6U PCB Board Installation dimension



Delivery Comprises(kit)

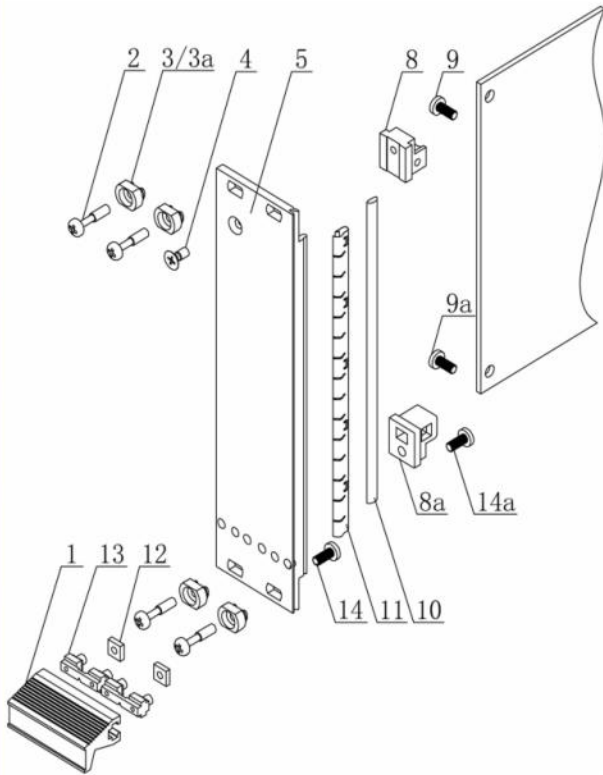
Item	Name	Qty	Order no	Description
1	VI-Handle	2	/	Install in the bottom panel
2	Captive screws	4	1004023	Cross/captive screws M2.5×12 Stainless steel
3	Metal sleeve	4	1014002	Plastic
3a	Metal sleeve	4	1014003	Brass
4	Panel fixing screws	3	1004011	Pozidrive c/sk screw M2.5×6 Stainless steel
4a	Panel fixing screws	3	1004015	Pozidrive c/sk screw M2.5×8 Stainless steel
5	U-shaped panels	1	/	Front anodised rear conductive
6	PCB bracket	2	1015016	PCB bracket, PC+20%GF,Grey, Plastic
7	Hex Nut	6	1005001	Hex Nut, M2.5, Stainless steel
8	Printed board bracket	1	1015001	Die-cast zinc
8a	Printed board bracket	1	1015005	PC+20%GF,Grey, It needs to be used together with one 9a and one 14a
9	PCB Set screw	3	1004004	Pan head Pozidrive c/sk screw M2.5×6 Stainless steel
9a	PCB Set screw	1	1004260	Pan head self-tapping screw M2.5×6 Stainless steel
9b	PCB Set screw	1	1004005	Pan head Pozidrive c/sk screw M2.5×8 Stainless steel
10	EMC textile gasket	1	1008038	EMC textile gasket
11	EMC gasket	1	1008015	EMC gasket
12	Square nut	4	1005002	Square nut, M2.5, Stainless steel
13	Plastic parts	4	1000066	Plastic parts, PC+20%GF,Grey
14	Set screw	3	1004004	Pan head Pozidrive c/sk screw M2.5×6 Stainless steel
14a	Set screw	1	1004005	Pan head Pozidrive c/sk screw M2.5×8 Stainless steel
16	PCB Centre support	1	1015015	Centre support for printed boards, PC+20%GF

EK&EG PRO Series Subracks
 EK+EG+ PRO Series Subracks
 BEK&BEG PRO Series Subracks
 Handle specification and accessories
 Guide-rail specification and accessories
 19" CUR Series Subracks
 SNCF Series Subracks
 Shielded plug-in units Series Subracks
 VERO Series Subracks
 Protective Series Subracks
 CASE Series Subracks
 Type A Series Subracks
 Rugged Subracks Side panel
 IN-S Series Subracks
 Subracks Accessories
 Panel component
 Order no. and page table

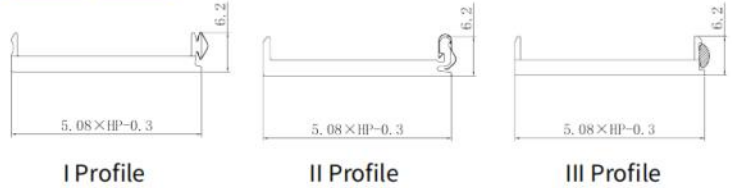
VI Panel component



3U Panel component



Panel profile



Delivery Comprises(kit)

Item	Name	Qty	Order no	Description
1	V-Handle	1	/	Install in the bottom panel
2	Captive screws	4	1004023	Cross/captive screws M2.5x12 Stainless steel
3	Metal sleeve	4	1014002	Plastic
3a	Metal sleeve	4	1014003	Brass
4	Panel fixing screws	1	1004011	Pozidrive c/sk screw M2.5x6 Stainless steel
5	U-shaped panels	1	/	Front anodised rear conductive
8	Printed board bracket	1	1015001	Die-cast zinc
8a	Printed board bracket	1	1015005	PC+20%GF,Grey, It needs to be used together with one 9a and one 14a
9	PCB Set screw	2	1004004	Pan head Pozidrive c/sk screw M2.5x6 Stainless steel
9a	PCB Set screw	2	1004260	Pan head self-tapping screw M2.5x8 Stainless steel
10	EMC textile gasket	1	1008038	EMC textile gasket
11	EMC gasket	1	1008015	EMC gasket
12	Square nut	2	1005002	Square nut, M2.5, Stainless steel
13	Plastic parts	2	1000066	Plastic parts, PC+20%GF,Grey
14	Set screw	2	1004004	Pan head Pozidrive c/sk screw M2.5x6 Stainless steel
14a	Set screw	2	1004005	Pan head Pozidrive c/sk screw M2.5x8 Stainless steel

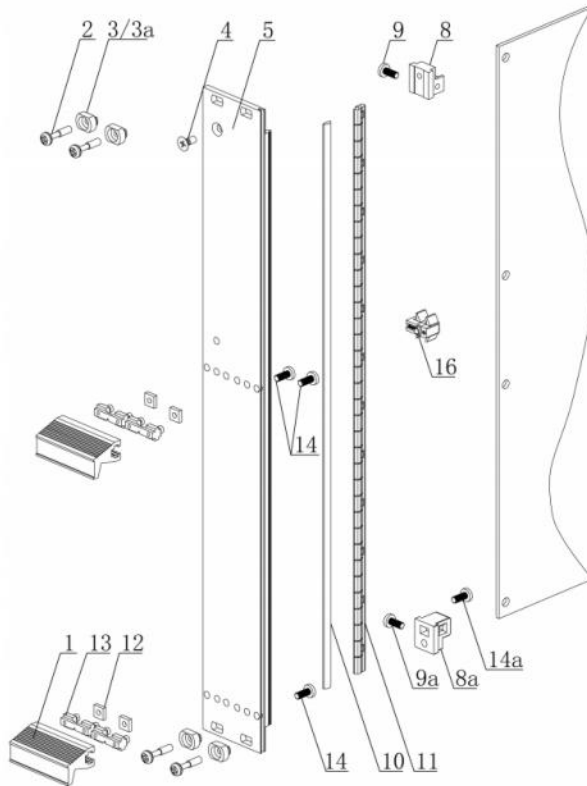
VI Handle order information

Width	I Panel	II Panel	III Panel	Panel	EMC gasket	Grey handle	Order no
4HP	1				1	1	30402011
4HP		1			1	1	30402021
4HP			1		1	1	30402031
4HP				1	1	1	30402041
5HP	1				1	1	30502011
5HP		1			1	1	30502021
5HP			1		1	1	30502031
5HP				1	1	1	30502041
6HP	1				1	1	30602011
6HP		1			1	1	30602021
6HP			1		1	1	30602031
6HP				1	1	1	30602041
7HP	1				1	1	30702011
7HP		1			1	1	30702021
7HP			1		1	1	30702031
7HP				1	1	1	30702041
8HP	1				1	1	30802011
8HP		1			1	1	30802021
8HP			1		1	1	30802031
8HP				1	1	1	30802041
10HP	1				1	1	31002011
10HP		1			1	1	31002021
10HP			1		1	1	31002031
10HP				1	1	1	31002041
12HP	1				1	1	31202011
12HP		1			1	1	31202021
12HP			1		1	1	31202031
12HP				1	1	1	31202041

VI Panel component



6U Panel component



Panel profile



I Profile

II Profile

III Profile

Delivery Comprises(kit)

Item	Name	Qty	Order no	Description
1	V-Handle	2	/	Install in the bottom panel
2	Captive screws	4	1004023	Cross/captive screws M2.5×12 Stainless steel
3	Metal sleeve	4	1014002	Plastic
3a	Metal sleeve	4	1014003	Brass
4	Panel fixing screws	1	1004011	Pozidrive c/sk screw M2.5×6 Stainless steel
5	U-shaped panels	1	/	Front anodised rear conductive
8	Printed board bracket	1	1015001	Die-cast zinc
8a	Printed board bracket	1	1015005	PC+20%GF,Grey, It needs to be used together with one 9a and one 14a
9	PCB Set screw	1	1004004	Pan head Pozidrive c/sk screw M2.5×6 Stainless steel
9a	PCB Set screw	1	1004260	Pan head self-tapping screw M2.5×8 Stainless steel
10	EMC textile gasket	1	1008038	EMC textile gasket
11	EMC gasket	1	1008015	EMC gasket
12	Square nut	4	1005002	Square nut, M2.5, Stainless steel
13	Plastic parts	4	1000066	Plastic parts, PC+20%GF,Grey
14	Set screw	3	1004004	Pan head Pozidrive c/sk screw M2.5×6 Stainless steel
14a	Set screw	1	1004005	Pan head Pozidrive c/sk screw M2.5×8 Stainless steel
16	PCB Centre support	1	1015015	Centre support for printed boards, PC+20%GF

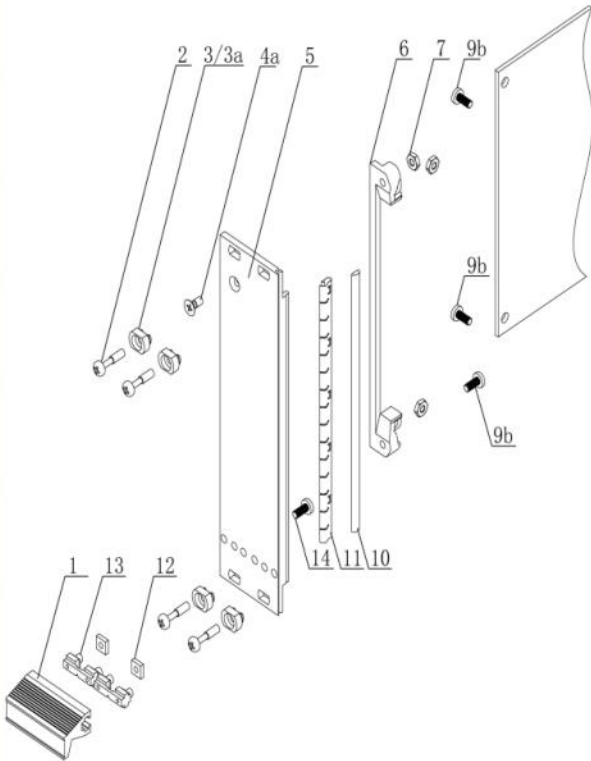
VI Handle order information

Width	I Panel	II Panel	III Panel	Panel	EMC gasket	Grey handle	Order no
4HP	1				1	1	60402011
4HP		1			1	1	60402021
4HP			1		1	1	60402031
4HP				1	1	1	60402041
5HP	1				1	1	60502011
5HP		1			1	1	60502021
5HP			1		1	1	60502031
5HP				1	1	1	60502041
6HP	1				1	1	60602011
6HP		1			1	1	60602021
6HP			1		1	1	60602031
6HP				1	1	1	60602041
7HP	1				1	1	60702011
7HP		1			1	1	60702021
7HP			1		1	1	60702031
7HP				1	1	1	60702041
8HP	1				1	1	60802011
8HP		1			1	1	60802021
8HP			1		1	1	60802031
8HP				1	1	1	60802041
10HP	1				1	1	61002011
10HP		1			1	1	61002021
10HP			1		1	1	61002031
10HP				1	1	1	61002041
12HP	1				1	1	61202011
12HP		1			1	1	61202021
12HP			1		1	1	61202031
12HP				1	1	1	61202041

VI Panel component



3U Panel component



Panel profile



I Profile

II Profile

III Profile

Delivery Comprises (kit)

Item	Name	Qty	Order no	Description
1	V-Handle	1	/	Install in the bottom panel
2	Captive screws	4	1004023	Cross/captive screws M2.5×12 Stainless steel
3	Metal sleeve	4	1014002	Plastic
3a	Metal sleeve	4	1014003	Brass
4a	Panel fixing screws	1	1004015	Pozidrive c/sk screw M2.5×8 Stainless steel
5	U-shaped panels	1	/	Front anodised rear conductive
6	PCB bracket	1	1015016	PCB bracket, PC+20%GF, Grey, Plastic
7	Hex Nut	3	1005001	Hex Nut, M2.5, Stainless steel
9b	PCB Set screw	3	1004005	Pan head Pozidrive c/sk screw M2.5×8 Stainless steel
10	EMC textile gasket	1	1008038	EMC textile gasket
11	EMC gasket	1	1008015	EMC gasket
12	Square nut	2	1005002	Square nut, M2.5, Stainless steel
13	Plastic parts	2	1000066	Plastic parts, PC+20%GF, Grey
14	Set screw	1	1004004	Pan head Pozidrive c/sk screw M2.5×6 Stainless steel

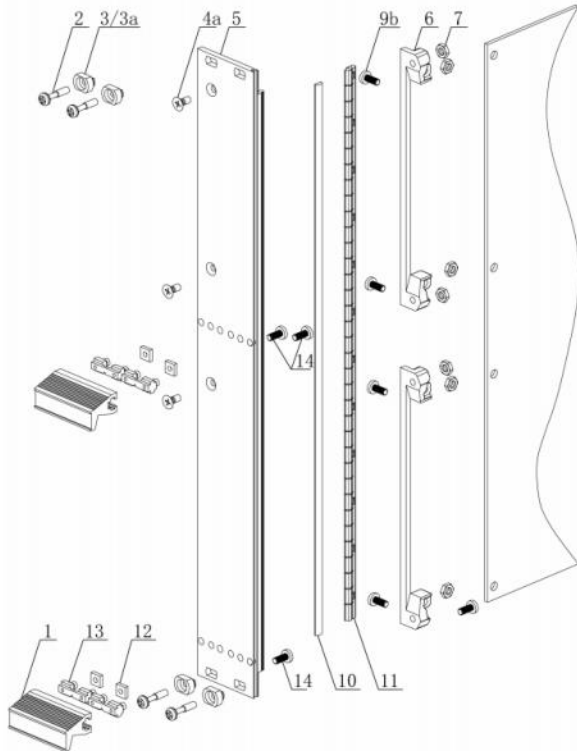
VI Handle order information

Width	I Panel	II Panel	III Panel	Panel	EMC gasket	Grey handle	Order no
4HP	1				1	1	30402012
4HP		1			1	1	30402022
4HP			1		1	1	30402032
4HP				1	1	1	30402042
5HP	1				1	1	30502012
5HP		1			1	1	30502022
5HP			1		1	1	30502032
5HP				1	1	1	30502042
6HP	1				1	1	30602012
6HP		1			1	1	30602022
6HP			1		1	1	30602032
6HP				1	1	1	30602042
7HP	1				1	1	30702012
7HP		1			1	1	30702022
7HP			1		1	1	30702032
7HP				1	1	1	30702042
8HP	1				1	1	30802012
8HP		1			1	1	30802022
8HP			1		1	1	30802032
8HP				1	1	1	30802042
10HP	1				1	1	31002012
10HP		1			1	1	31002022
10HP			1		1	1	31002032
10HP				1	1	1	31002042
12HP	1				1	1	31202012
12HP		1			1	1	31202022
12HP			1		1	1	31202032
12HP				1	1	1	31202042

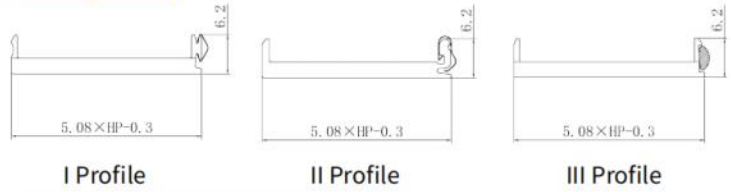
VI Panel component



6U Panel component



Panel profile



Delivery Comprises(kit)

Item	Name	Qty	Order no	Description
1	V-Handle	2	/	Install in the bottom panel
2	Captive screws	4	1004023	Cross/captive screws M2.5×12 Stainless steel
3	Metal sleeve	4	1014002	Plastic
3a	Metal sleeve	4	1014003	Brass
4a	Panel fixing screws	3	1004015	Pozidrive c/sk screw M2.5×8 Stainless steel
5	U-shaped panels	1	/	Front anodised rear conductive
6	PCB bracket	2	1015016	PCB bracket, PC+20%GF,Grey, Plastic
7	Hex Nut	7	1005001	Hex Nut, M2.5, Stainless steel
9b	PCB Set screw	5	1004005	Pan head Pozidrive c/sk screw M2.5×8 Stainless steel
10	EMC textile gasket	1	1008038	EMC textile gasket
11	EMC gasket	1	1008015	EMC gasket
12	Square nut	4	1005002	Square nut, M2.5, Stainless steel
13	Plastic parts	4	1000066	Plastic parts, PC+20%GF,Grey
14	Set screw	4	1004004	Pan head Pozidrive c/sk screw M2.5×6 Stainless steel

VI Handle order information

Width	I Panel	II Panel	III Panel	Panel	EMC gasket	Grey handle	Order no
4HP	1				1	1	60402012
4HP		1			1	1	60402022
4HP			1		1	1	60402032
4HP				1	1	1	60402042
5HP	1				1	1	60502012
5HP		1			1	1	60502022
5HP			1		1	1	60502032
5HP				1	1	1	60502042
6HP	1				1	1	60602012
6HP		1			1	1	60602022
6HP			1		1	1	60602032
6HP				1	1	1	60602042
7HP	1				1	1	60702012
7HP		1			1	1	60702022
7HP			1		1	1	60702032
7HP				1	1	1	60702042
8HP	1				1	1	60802012
8HP		1			1	1	60802022
8HP			1		1	1	60802032
8HP				1	1	1	60802042
10HP	1				1	1	61002012
10HP		1			1	1	61002022
10HP			1		1	1	61002032
10HP				1	1	1	61002042
12HP	1				1	1	61202012
12HP		1			1	1	61202022
12HP			1		1	1	61202032
12HP				1	1	1	61202042