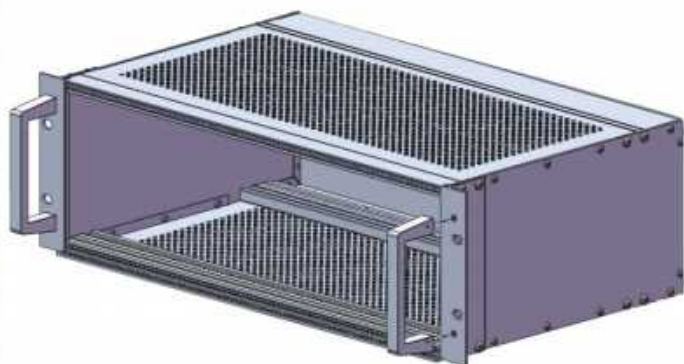


## Handle



### Square handle

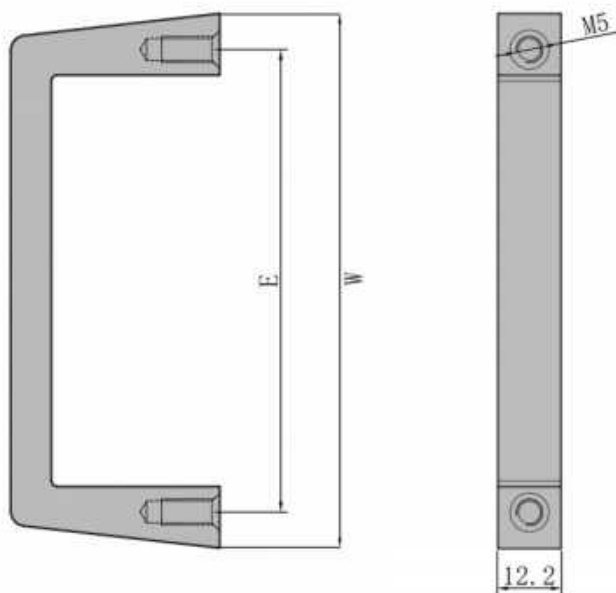
- Handle load capacity 30KG
- Installed on the front flange or side panel of the subrack

#### Delivery includes

Item	Name	Description
1	Square handle	Front Handle, Aluminum, anodized treatment

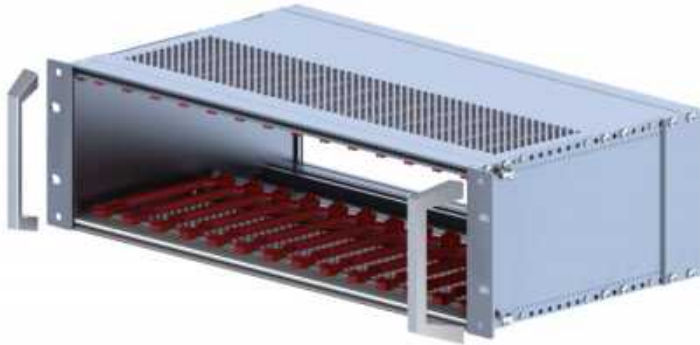
#### Order information

W mm	E mm	Anodized treatment Order no	Anodized treatment Black Order no
69	55	1000009	1030042
102	88	1000010	1030043
132	120	1030030	1030044
146.4	133.5	1000011	1030045
194	180	1000012	1030046
249	235	1000013	1030047



Order no. and page | Table  
Panel component  
Subracks Accessories  
IN-5 Series Subracks  
Rugged subracks Side panel  
Type-A Series Subracks  
CASE Series Subracks  
Protective Series Subracks  
VERO Series Subracks  
Shielded plug-in units Series Subracks  
SNCF Series Subracks  
1P/2UR Series Subracks  
GUIDERAIL specification and accessories  
Handle specification and accessories  
REMBEAG PRO Series Subracks  
EK-4EG+PRO Series Subracks  
EM4EG PRO Series Subracks

## Handle



### Slant handle

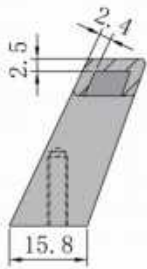
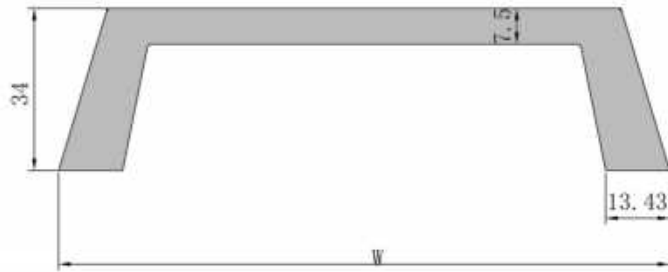
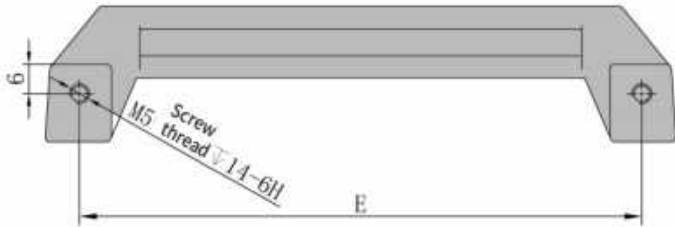
- Handle load capacity 30KG
- Installed on the front flange or side panel of the subrack

### Delivery includes

Item	Name	Description
1	Slant handle	Front Handle, Aluminum, anodized treatment

### Order information

W mm	E mm	Anodized treatment	
		Order no	Black Order no
69	55	1030048	1030054
102	88	1000007	1030055
132	120	1030050	1030056
146.4	133.5	1030051	1030057
194	180	1030052	1030058
249	235	1030064	1030059



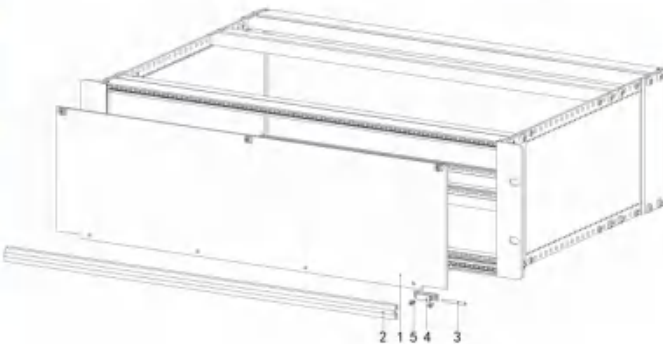
EMEG PRO Series Subracks  
 EK-MEG-PRO Series Subracks  
 BEMEG PRO Series Subracks  
 Handle specification and accessories  
 Guide-rail specification and accessories  
 19"CLR Series Subracks  
 SHCF Series Subracks  
 Shielded plug-in units Series Subracks  
 VERO Series Subracks  
 Protective Series Subracks  
 CASE Series Subracks  
 Type-A Series Subracks  
 Rugged subracks series panel  
 IN-5 Series Subracks  
 Subracks Accessories  
 Panel component  
 Order no. and page Table

## Hinged panels



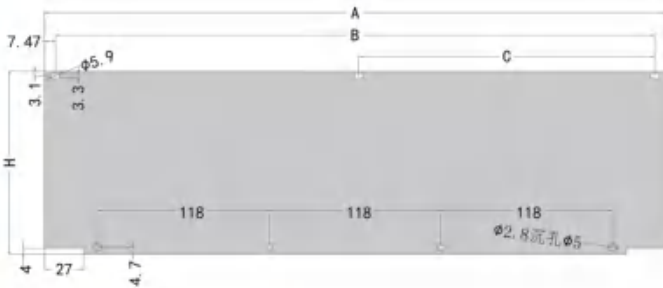
### Hinged panels

- Hinges are mounted on the bottom of the panel
- Can be applied to Subrack cases and instrument cases with an opening angle of 105 degrees
- The available width of the subrack is not affected while the hinge is installed
- Fixing method: Hinged panels are fixed to the cross member of the subrack



### Delivery Comprises(kit)

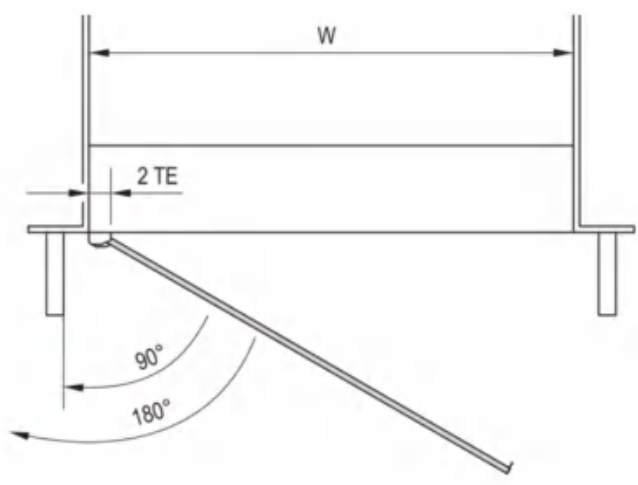
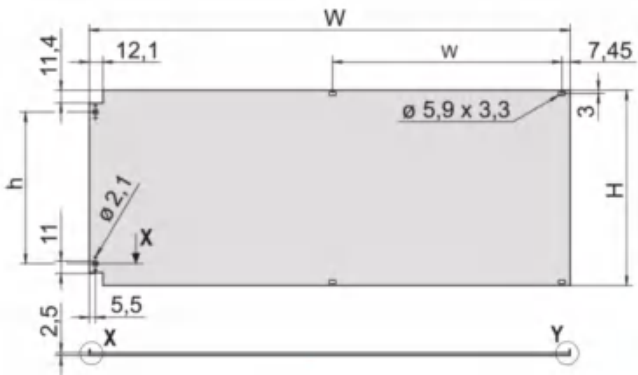
Item	Qty	Order no	Description
1	1	/	Front panel, bottom-hinged, Al, 2.5mm anodised, cut edges untreated
2	1	10290002	Hinge, Zn die-cast, nickel-plated
3	2	1023004	Hinge Nail penetrate
4	2	10290011	Hinge Seat, Aluminum casting
5	3	1004023	Panel fixing screws M2.5x12, Nickel plated steel



### Panel Order information

H Height	W Width	Amm	Bmm	Cmm	Hmm	Order no
3U	28TE	141.9	127	-	-	00232810
3U	42TE	213	198.1	101.6	128.4	00234210
3U	63TE	319.7	304.8	157.5	128.4	00236310
3U	84TE	426.4	411.5	203.2	128.4	00238410
4U	42TE	213	198.1	101.6	172.9	00244210
4U	63TE	319.7	304.8	157.5	172.9	00246310
4U	84TE	426.4	411.5	203.2	172.9	00248410
6U	63TE	213	198.1	101.6	261.8	00264210
6U	63TE	319.7	304.8	157.5	261.8	00266310
6U	84TE	426.4	411.5	203.2	261.8	00268410

Hinged panels



Hinged panels

- Can be applied to Subrack cases and instrument cases, opening angle 105 degrees
- Fixing method: Hinged panel fixed to the cross member
- Hinges can be installed on the left or right side of the case

Delivery Comprises(kit)

Item	Qty	Order no	Description
1	1	/	Front panel, bottom-hinged, Al, 2.5mm anodised, cut edges untreated
2	1	10290008	On hinge, aluminum casting, nickel plated surface
2a	1	10290009	Under hinge, aluminum casting, nickel plated surface
2b	2	10290010	Hinge A, aluminum casting, nickel plated surface
3	1	1004023	Panel fixing screws M2.5x12, Nickel plated steel

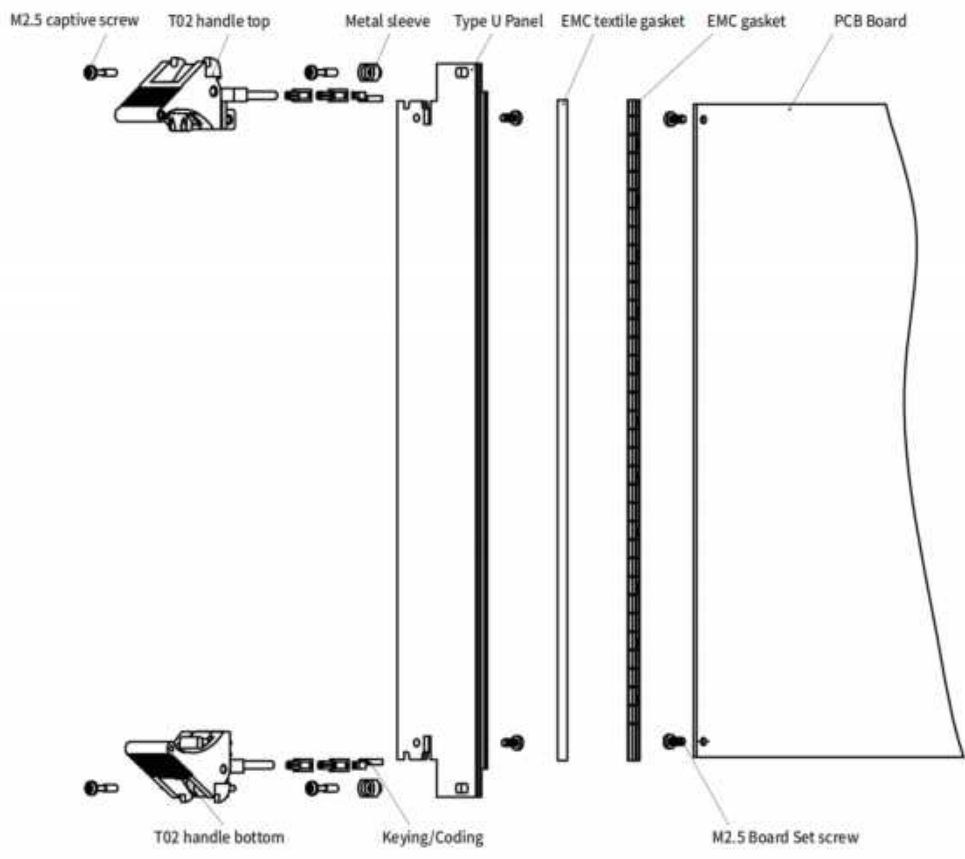
Panel Order information

Height	W mm	w mm	H mm	h mm	Order no
3U	426.4	203.2	128.4	89.9	00238420
6U	426.4	203.2	261.8	223.2	00268420

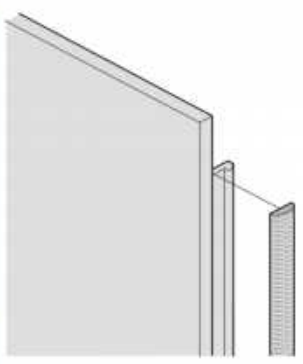
EMEG PRO Series Subracks  
 EK-MEG+ PRO Series Subracks  
 BEM-BEG PRO Series Subracks  
 Handle specification and accessories  
 Guide rail specification and accessories  
 19" CLR Series Subracks  
 SNCF Series Subracks  
 Shielded plug-in units Series Subracks  
 VERO Series Subracks  
 Protective Series Subracks  
 CASE Series Subracks  
 Type A Series Subracks  
 Rugged Subracks Side panel  
 IM-S Series Subracks  
 Subracks Accessories  
 Panel component  
 Order no. and page table

## Subracks Accessories

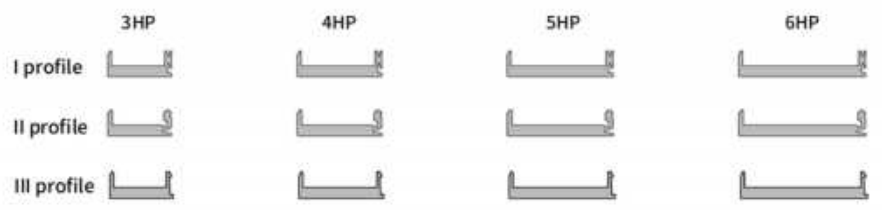
### Type U Panel



#### EMC textile gasket Schematic



#### Type U Panel Profile



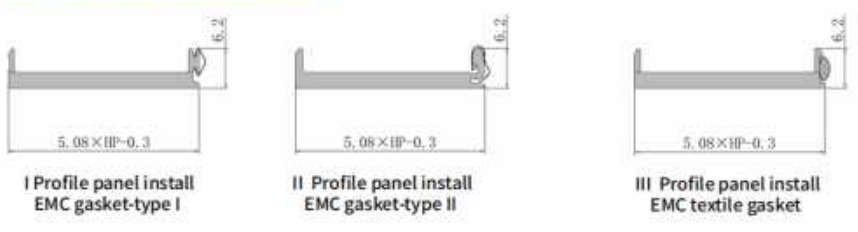
#### Delivery includes

Item	Name	Qty	Description
10	EMC textile gasket	1	Conductive cloth shielding strip

#### EMC textile gasket Order no

Height U	Width mm	Order no
3	97	1008037
6	232	1008038

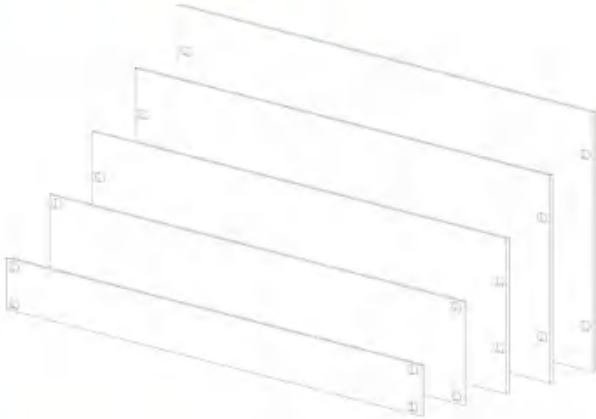
#### EMC Gasket schematic section



EFACEC PRO Series Subracks  
 EX-VEEG-PRO Series Subracks  
 BEFABEG PRO Series Subracks  
 Handle specification and accessories  
 Guide rail specification and accessories  
 19" CUB Series Subracks  
 SNCF Series Subracks  
 Shielded plug-in units Series Subracks  
 UFRD Series Subracks  
 Protective Series Subracks  
 CASE Series Subracks  
 Type A Series Subracks  
 Rugged Subracks Side panel  
 IN-S Series Subracks  
 Subracks Accessories  
 Panel component  
 Order no. and page Title

## Type U Panel

### Flat front panel blind panel

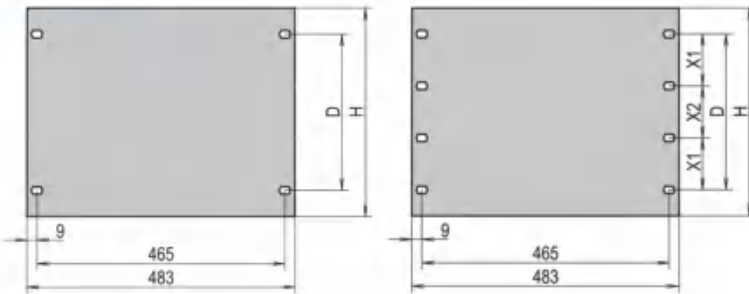


- Aluminum front panel blind plate
- Used in conjunction with M6 screws, it can be installed in front of the cabinet and used as the front panel of the cabinet

### Delivery Comprises

Name	Qty	Model	Description
Flat blind plate	1	/	Profile panel, suitable for the front panel of the cabinet chassis
Screw component	4	/	Install panel accessories

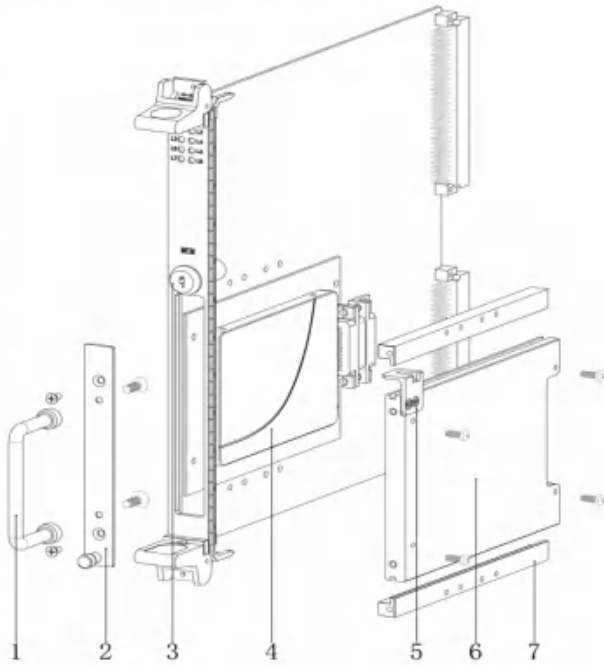
### Cut-Size



### Order information

Height	H	D	X1	X2	Mounting Hole Qty	Thickness3mm RAL7021 Order no	Thickness3mm RAL7035 Order no	Thickness3mm Anodization Order no	Thickness4mm Anodization Order no
1U	43.6	31.7	-	-	4	01013021	01013035	01013000	01014000
2U	88.1	76.2	-	-	4	01023021	01023035	01023000	01024000
3U	132.5	57.1	-	-	4	01033021	01033035	01033000	01034000
4U	177.0	101.6	-	-	4	01043021	01043035	01043000	01044000
5U	221.4	146.0	-	-	4	01053021	01053035	01053000	01054000
6U	265.9	190.4	-	-	4	01063021	01063035	01063000	01064000
7U	310.3	234.9	-	-	4	-	-	01073000	01074000
7U	310.3	234.9	88.9	57.1	8	01073021	01073035	-	-
8U	354.8	279.4	-	-	4	-	-	01083000	01084000
8U	354.8	279.4	101.6	76.2	8	01083021	01083035	-	-
9U	399.2	323.8	101.6	120.6	8	01093021	01093035	01093000	01094000
10U	443.7	368.3	101.6	165.1	8	01103021	01103035	01103000	01104000

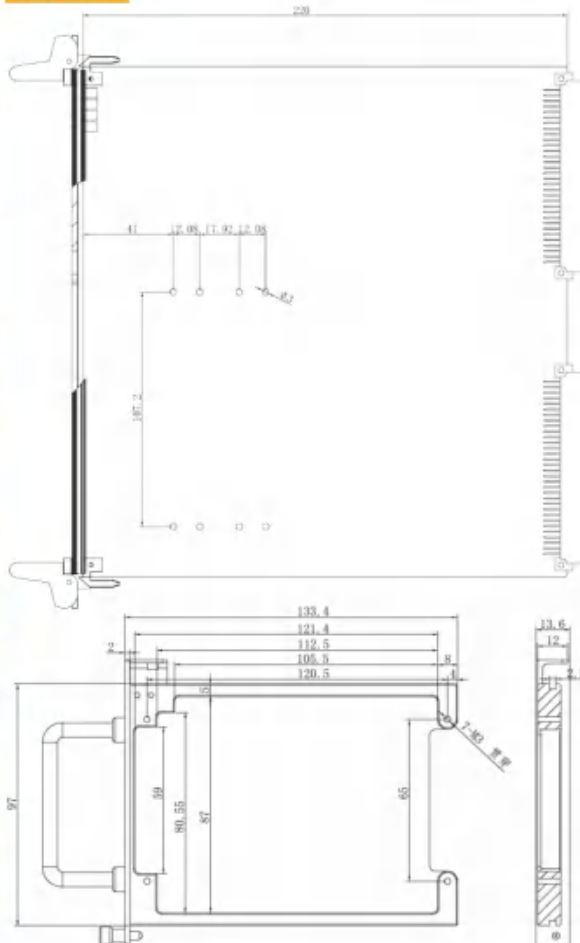
## 2.5" hard drive cage assembly



- For hard drive protection against physical damage and mechanical damage
- Suitable for 4U and 6U and above size PCB card mount 2.5" solid state drives
- With lock for easy hard drive removal and installation



### Cut-Size



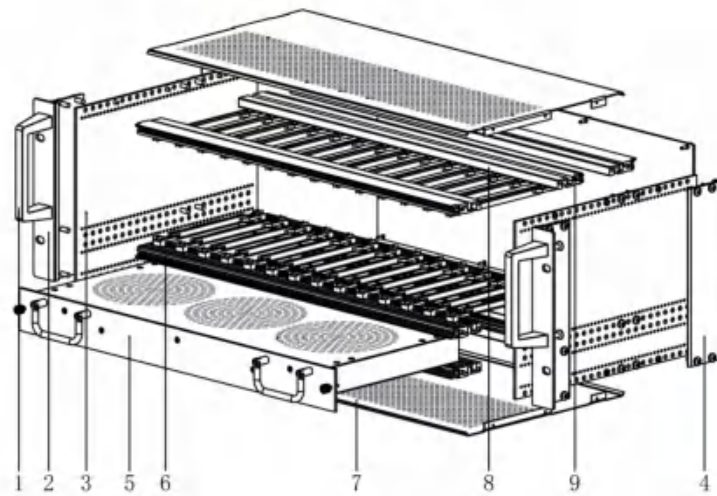
### Delivery Comprises(kit)

Item	Name	Qty	Model
1	Handle	1	/
2	Front panel	1	Stainless steel, Wire drawing process
3	Hard disk lock	1	/
4	2.5 inch hard disk	1	/
5	Locking element	1	/
6	Hard drive	1	/
7	Hard drive Guide rail	2	/
8	Assembly components	1	Pan head Screw M2.5

### Order no

Name	Order no
2.5" hard drive cage assembly	02622021

## Fan insert component



### Fan insert

- Heat can cause equipment to shut down due to malfunction and shorten the life and functionality of high-performance electronic components before that happens
- High heat dissipation and compact space are the key to the problem. Therefore, heat dissipation is the key to increasing the service life of products and improving operational safety and reliability
- A temperature-controlled fan tray is also available

### Delivery Comprises(kit)

Item	Name	Qty	Model
1	Handle	2	Choice
2	Front bracket	2	/
3	Side panel	2	/
4	Rear bracket	2	/
5	Fan insert	1	/
6	Front rails	4	/
7	Cover plate	2	/
8	Rear rails	2	/
9	Insulation strip	2	/

### Fan insert Order no

Height h	Width W	Depth D	Order no
1U	42TE	245mm	03124542
1U	42TE	285mm	03128542
1U	42TE	345mm	03134542
1U	63TE	245mm	03124563
1U	63TE	285mm	03128563
1U	63TE	345mm	03134563
1U	84TE	245mm	03124584
1U	84TE	285mm	03128584
1U	84TE	345mm	03134584

EMEG PRO Series Subracks  
 EK-MEG+ PRO Series Subracks  
 BE/M/EG PRO Series Subracks  
 Handle specification and accessories  
 Guide rail specification and accessories  
 19"CR Series Subracks  
 SNCF Series Subracks  
 Shielded plug-in units Series Subracks  
 VERO Series Subracks  
 Protective Series Subracks  
 CASE Series Subracks  
 Type A Series Subracks  
 Rugged Subracks Side panel  
 IH-S Series Subracks  
 Subracks Accessories  
 Panel component  
 Order no. and page table



## PCB board protection strip



### Product description

Board protection strip is mainly used for human inevitably cut each other when plugging and unplugging boards and components on the back, to play an effective protection and prevention role, to facilitate the installation of multiple boards and cards, thereby improving efficiency and reducing the damage to components during installation

### Performance description

- Performance description
- Light size for easy installation.
- Mechanical limit, improve work efficiency.
- Fireproof standard: UL94V-0, EN45545-2
- Aging standard: GB/T7141-2008,,90°C, 6h
- Embrittlement standard: GB/T5470-2008, -55°C
- ROHS standard: conform to 2011/65/EU

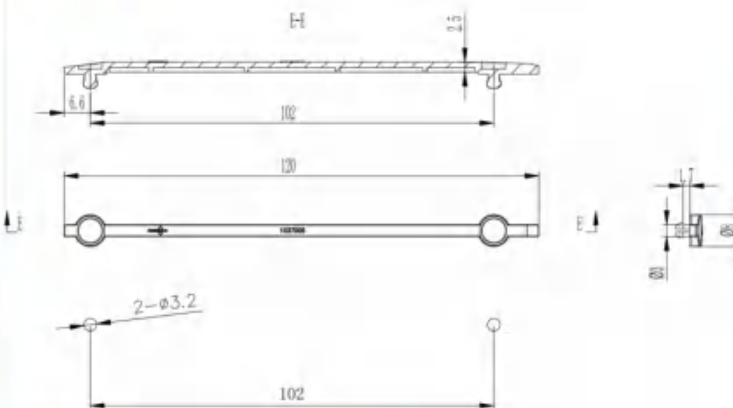
### Material and finish

PC, transparent

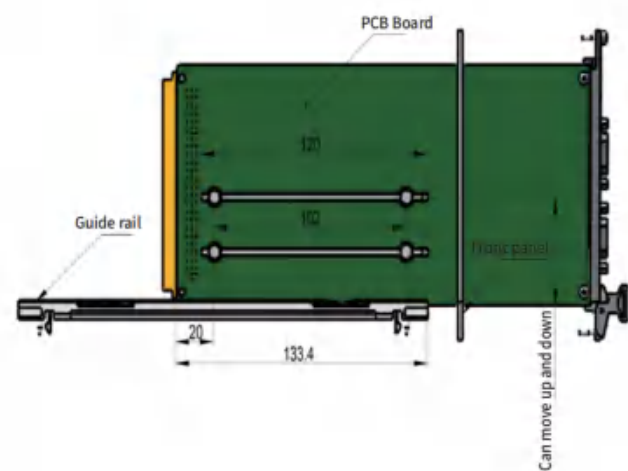
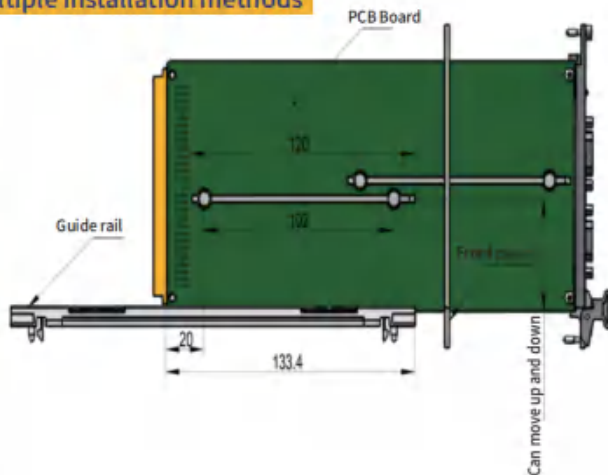
### Order information

Name	Material	Order no
PCB board protection strip	Transparent PC	1037005

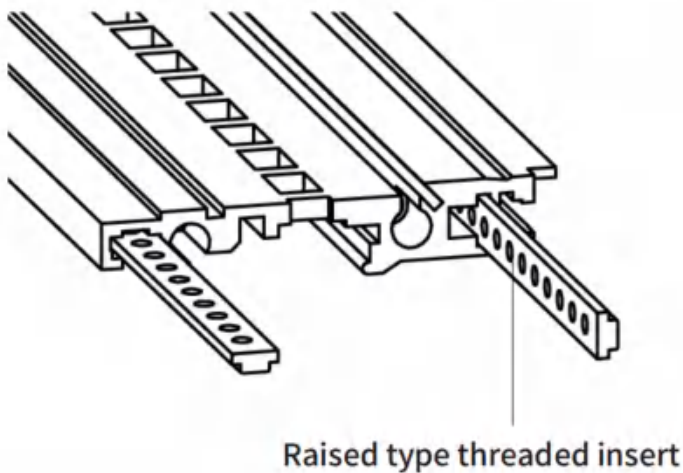
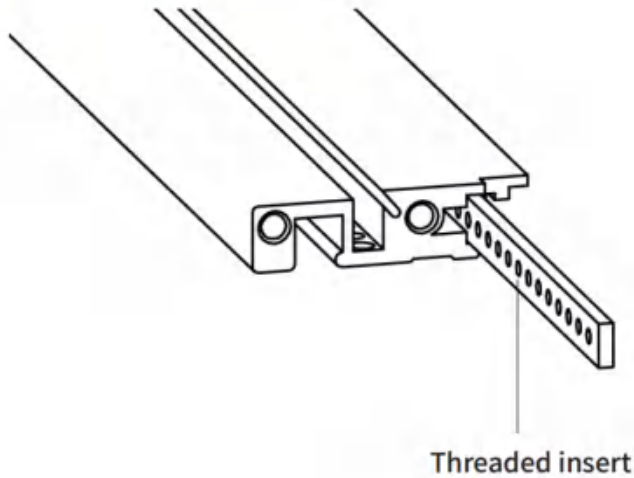
### Cut-Size



### Multiple installation methods



## Subracks Accessories

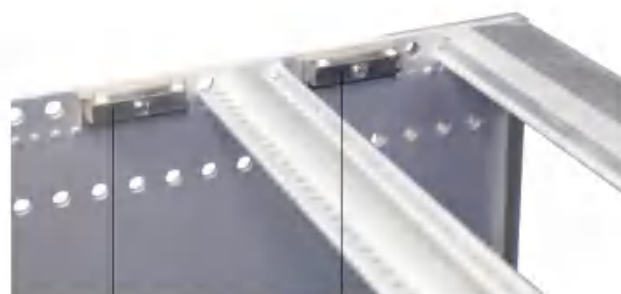


### Threaded insert

- For connecting panels or fixing back panels
- Installed in the cross member slot
- Material: Cold rolled steel

### Order information

Order no	Name	Model	Model
1011116	Threaded insert	2x6	84TE
1011005	Threaded insert	2x6	63TE
1011003	Threaded insert	2x6	42TE
1011013	Threaded insert	2x5	84TE
1011012	Threaded insert	2x5	63TE
1011010	Threaded insert	2x5	42TE
1011020	Threaded insert	Raised type	84TE
1011019	Threaded insert	Raised type	63TE
1011017	Threaded insert	Raised type	42TE



Cover plate printed board bracket  
Cover plate printed board bracket

### Cover plate printed board bracket

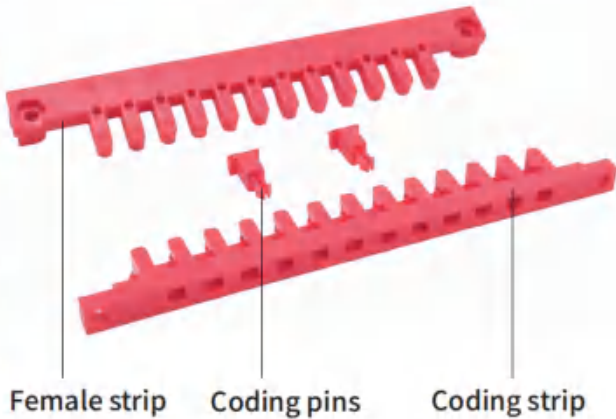
- Fastened to the side plate with screws
- For the attachment between side plate and cover plate, with shielding function
- Material: Die-cast zinc

### Order information

Order no	Name	Color	Colour code
1015007	Cover plate printed board bracket	Natural color	/

EMEG PRO Series Subracks
EK-MEG-PRO Series Subracks
HEM-BEG-PRO Series Subracks
Handle specification and accessories
Guide rail specification and accessories
1P-CUR Series Subracks
SNCF Series Subracks
Shielded plug-in units Series Subracks
VERO Series Subracks
Protective Series Subracks
CASE Series Subracks
Type A Series Subracks
Rugged Subracks side panel
IN-S Series Subracks
Subracks Accessories
Panel component
Order no. and page table

## Subracks Accessories



Female strip    Coding pins    Coding strip



### Anti misplug component

- Applicable to the coding of PCB board and back panel production
- The head and seat are mounted on the connector of the PCB and the back panel respectively
- Used to prevent the PCB board from being inserted into a non-corresponding slot
- Material: PC+20%GF

Order no	Name	Color	Colour code
1009006	Female strip	Red	RAL3018
1009005	Coding strip	Red	RAL3018
1009008	Coding pins	Red	RAL3018



Digital Strip

### Digital Strip

- Paste in cross member groove, starting point aligned with front flange
- Digital spacing 1TE, convenient for installation position and marking of rails and boards
- Material: PVC

#### Order information

Order no	Name	Colour code	Model
1012001	Digital Strip	RAL2011	84TE
1012002	Digital Strip	RAL2011	42TE

## Subracks Accessories



ESD Electrostatic Discharge Clip  
ESD Electrostatic Discharge Clip

### ESD Electrostatic Discharge Clip

- Mounted on the end of the guide rail
- For electrostatic load discharge
- Material: Beryllium bronze

#### Order information

Order no	Name	Color
1010003	CPCI Guide rail ESD Electrostatic Discharge Clip	Natural color
1010004	Clip guide rail ESD Electrostatic Discharge Clip	Natural color



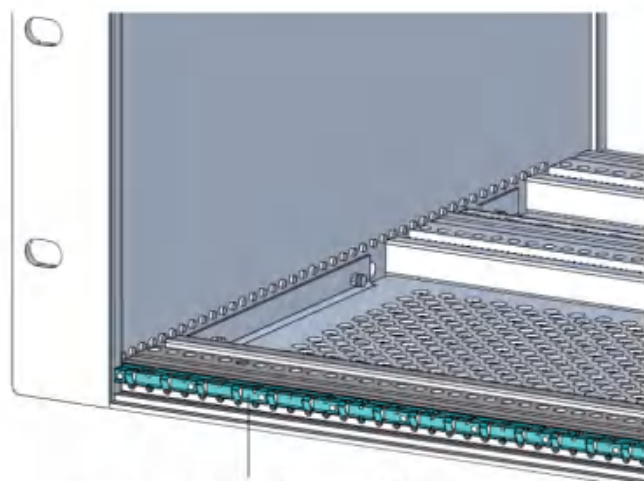
Insulation strip A

### Insulation strip A

- Mounted on the rear cross member to insulate the cross member from the back panel and protect the internal components
- Only for EK&EG series subracks
- Material: PC+20%GF

#### Order information

Order no	Name	Model	Color	Colour code
1013001	Insulation strip A	21TE	Grey	RAL7032



EMC gasket (Front rails)

### EMC gasket (Front rails)

- Installed on the inside of the front rails to form a good conductivity between the panel and the rail, thus increasing the shielding effect
- Only used in EK&EG series subracks
- Material: Stainless steel

#### Order information

Order no	Name	Model	Color
1008011	EMC gasket (Front rails)	42TE	Natural color
1008048	EMC gasket (Front rails)	63TE	Natural color
1008013	EMC gasket (Front rails)	84TE	Natural color
1008014	EMC gasket (Front rails)	104TE	Natural color

EM&EG PRO Series Subracks

EK&EG PRO Series Subracks

BEK&BEG PRO Series Subracks

Handle specification and accessories

Guide rail specification and accessories

31° CLR Series Subracks

SWCF Series Subracks

Shielded plug-in units Series Subracks

VERO Series Subracks

Protective Series Subracks

CASE Series Subracks

Type A Series Subracks

Rugged Subracks Side panel

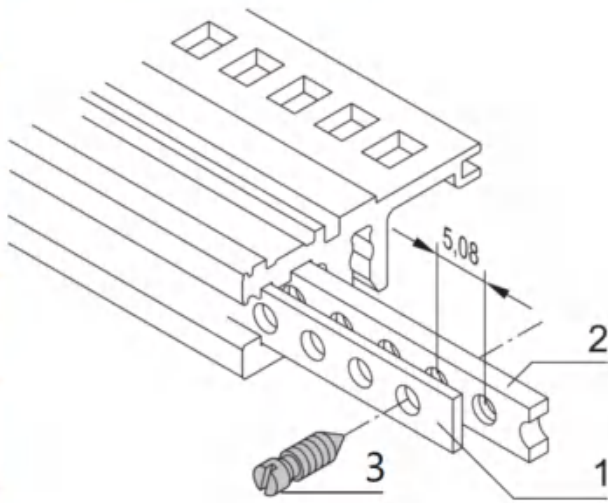
III-5 Series Subracks

Subrack Accessories

Panel component

Order no. and page table

## Subracks Accessories



### Perforated strip B

- Suitable for determining the center for shielded insertion devices
- Through-hole strip made of 1mm aluminum
- Material: Aluminum

#### Order information

Item	Order no	Name	Model
1	1011042	Perforated strip B	84TE
2	1011013	Threaded insert B	84TE
3	00100052	Grub screw	M2.5*8



Insulation strip B

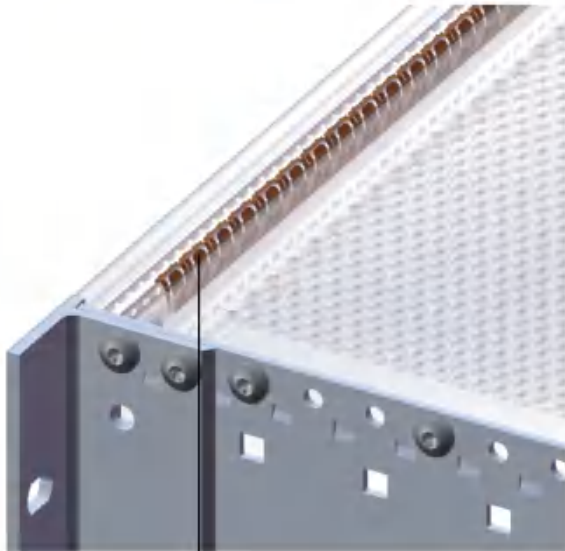
### Insulation strip B

- For insulated mounting of back panel or for mounting metal plates as support for connectors
- Only for BEK&BEG series subracks
- Material: PC+20% GF

#### Order information

Order no	Name	Model	Color	Colour code
1013009	Insulation strip B	42TE	Grey	RAL7032
1013008	Insulation strip B	63TE	Grey	RAL7032
1013007	Insulation strip B	84TE	Grey	RAL7032

## Subracks Accessories



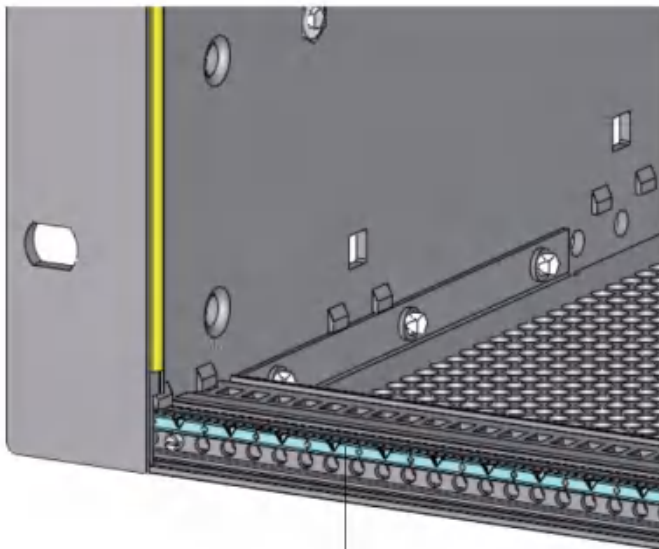
EMC gasket (Cover plate) B

### EMC gasket (Cover plate) B

- Mounted on the cover plate, with mounted on the cover plate, and snapped into the cross member recess together with the cover plate
- Used for the conductive connection between the cover and the rail
- Material: Stainless steel

#### Order information

Order no	Name	Model	Color
1008041	EMC gasket (Cover plate) B	42TE	/
1008040	EMC gasket (Cover plate) B	63TE	/
1008034	EMC gasket (Cover plate) B	84TE	/
1008049	EMC gasket (Cover plate) B	104TE	/



EMC gasket (Front rails) B

### EMC gasket (Front rails) B

- Installed on the inside of the front rail to form a good conductivity between the panel and the rail, thus increasing the shielding effect
- Apply to BEK&BEG series subracks
- Material: Stainless steel

#### Order information

Order no	Name	Model	Color
1008047	EMC gasket (Front rails) B	42TE	/
1008042	EMC gasket (Front rails) B	63TE	/
1008033	EMC gasket (Front rails) B	84TE	/
1008046	EMC gasket (Front rails) B	104TE	/

EM&EG PRO Series Subracks  
EM&EG+ PRO Series Subracks  
BEK&BEG PRO Series Subracks  
Handle specification and accessories  
Guide rail specification and accessories  
19" CLR Series Subracks  
SNCF Series Subracks  
Shielded plug-in units Series Subracks  
VEIO Series Subracks  
Protective Series Subracks  
CASE Series Subracks  
Type A Series Subracks  
Rugged Subracks Side panel  
IM-S Series Subracks  
Subracks Accessories  
Panel component  
Order no. and page Table

## Subracks Accessories



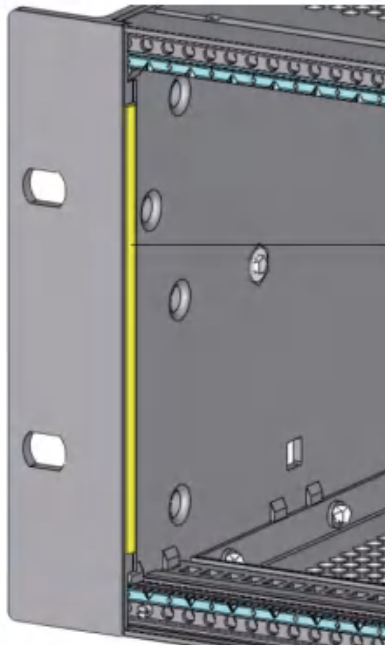
EMC gasket (Cover plate)

### EMC gasket (Cover plate)

- Installed on the cover plate and snapped into the groove of the rail together with the cover plate
- Used for the conductive connection between the cover and the rail
- Material: Stainless steel

#### Order information

Order no	Name	Model	Color
1008050	EMC gasket (Cover plate)	42TE	/
1008051	EMC gasket (Cover plate)	63TE	/
1008010	EMC gasket (Cover plate)	84TE	/
1008052	EMC gasket (Cover plate)	104TE	/



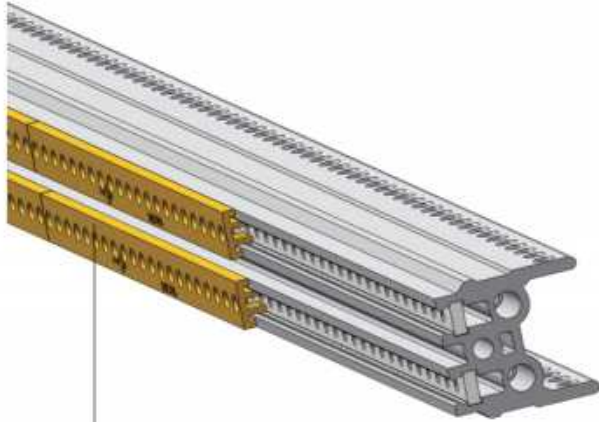
EMC textile gasket

### EMC textile gasket

- Paste on the outside of the panel for the panel to panel, panel to flange conductive connection
- Material: Conductive cloth EMC fabric gasket;
- Core: TPE foam

#### Order information

Order no	Name	Model	Color
1008037	EMC textile gasket	3U	/
1008045	EMC textile gasket	4U	/
1008038	EMC textile gasket	6U	/



Insulation strip C

### Insulation strip C

- For insulated mounting of back panel or for mounting metal plates as support for connectors
- Only for EK+&EG+ series subracks
- Material: PC+20% GF

### Order information

Order no	Name	Model	Color	Colour code
1013006	Insulation strip C	21TE	Yellow	R251G179B0

EMEG PRO 系列插箱
EK+EG+ PRO 系列插箱
HEXABEG PRO 系列插箱
附件盒 附件盒及配件
导轨 导轨及配件
1P/2P 系列插箱
SNCP 系列插箱
操作盒 附件盒及配件
VERO 系列插箱
防护罩 系列插箱
CASE 系列插箱
ABS 系列插箱
200系列 机架插箱
IN-S 系列插箱
附件盒
附件盒及配件
附件盒及配件



- EM&BEG PRO 系列插槽
- EK&BEG PRO 系列插槽
- BEM&BEG PRO 系列插槽
- 防撞器 规格书及配件
- 导轨 规格书及配件
- 19" CUR 系列机箱
- SNCF 系列机箱
- 操作盒 列插槽及配件
- VERO 系列机箱
- 防护型 系列机箱
- CASE 系列机箱
- A型 系列机箱
- 加固型 机箱钢板
- PL-S 系列机箱
- 亚玛配件
- 助理重座组件
- 物料清单表



EMC gasket-type I



EMC gasket-type II

### EMC gasket (Front panels)

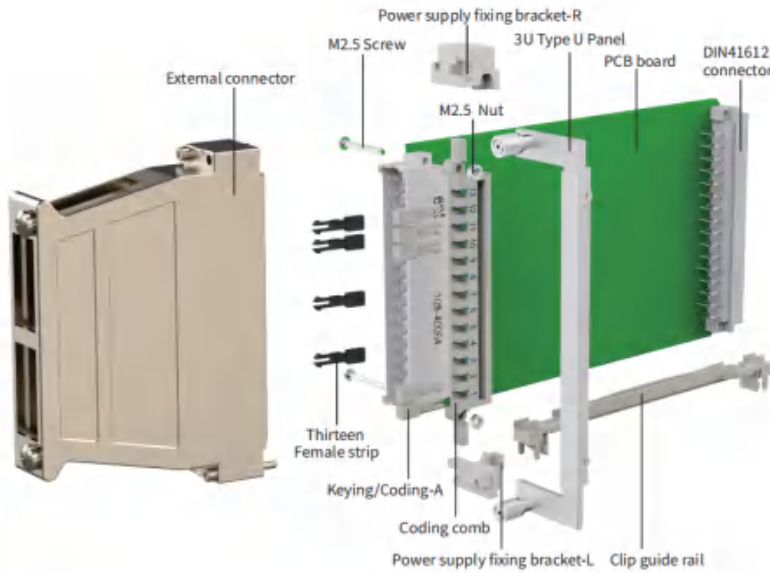
- Installed in the panel or flange side, so that the vertical direction of the gap in the subrack to form a good conductive contact, to improve the overall shielding performance of the subrack
- Material: stainless steel, beryllium bronze

### Order information

Order no	Name	Profile	Height
1008001	EMC gasket-type I	Panel-type I	3U
1008015	EMC gasket-type II	Panel-type II	3U
1008007	EMC gasket-Panel	Panel	3U
1008002	EMC gasket-type I	Panel-type I	4U
1008016	EMC gasket-type II	Panel-type II	4U
1008008	EMC gasket-Panel	Panel	4U
1008003	EMC gasket-type I	Panel-type I	6U
1008017	EMC gasket-type II	Panel-type II	6U
1008009	EMC gasket-Panel	Panel	6U

# Subracks Accessories

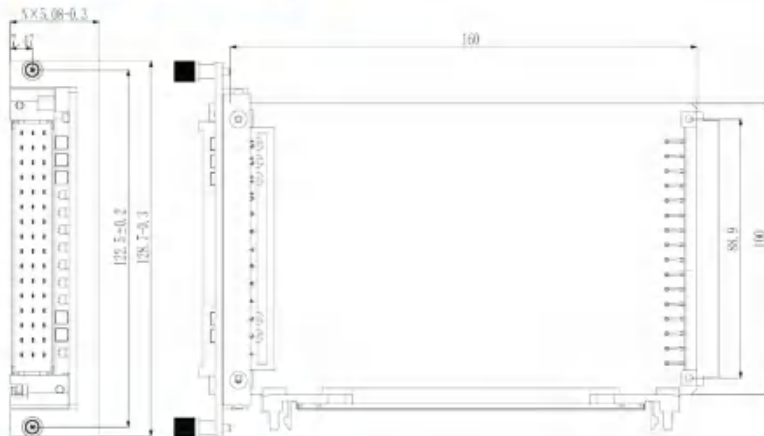
## Subracks Accessories



### Encoding comb kit

- Installed on one side of the panel or flange to form good conductive contact at the vertical gap of the chassis, improving the overall shielding performance of the chassis
- Material: stainless steel, vacuum nickel plated

### Installation dimension

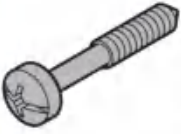
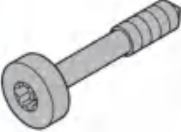

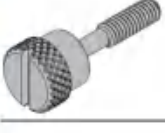
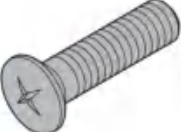


### Delivery Comprises(kit)

Name	Qty	Order no	Description
Thirteen Female strip	13	1009004	Black, used with external connectors, PC+20GF
Keying/Coding-A	13	1009002	Gray, used in conjunction with the front-end connector of the board, PC+20GF
Coding comb	1	1009014	Gray, used in conjunction with the front-end connector of the board, ABS, vacuum nickel plated
Power supply fixing bracket-L	1	1009015	Gray, fixed coding comb and board front connector, vacuum nickel plated
Power supply fixing bracket-R	1	1009016	Gray, fixed coding comb and board front connector, vacuum nickel plated
M2.5 Nut	2	1005001	Circuit board to PCB bracket, PCB bracket to front panel, stainless steel
M2.5 Screw	2	/	Used for fixing PCB board fixing blocks
Panel	1	/	Profile panel, front anodized, back conductive oxidized
Clip guide rail	1	1001045	Used for PCB boards with a thickness of 1.6-2.0mm, PC+20GF
External connector	1	/	External connector, connecting power board card

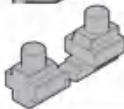
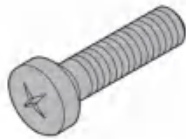
EMEG PRO 系列插箱  
EX-BEG+ PRO 系列插箱  
DEB-BEG PRO 系列插箱  
插板器 插板书及配件  
导轨 插板书及配件  
19"CUR 系列插箱  
SNCF 系列插箱  
插件盒 列插箱及配件  
VERO 系列插箱  
防护型 系列插箱  
CASE 系列插箱  
A型 系列插箱  
插板器 机架插板  
IN-S 系列插箱  
插板配件  
插板器插板件  
物理防护罩

## Screw

	Description	Application	Material	Size	Qty/PU	Order no
	One word/captive screw GB 837-88	For assembly of front panels if threaded strips are used	Stainless steel	M2.5*11	100	00100004
	One word/captive screw GB 837-88	For assembly of front panels if threaded strips are used	Stainless steel	M2.5*11	100	00100005
	Cross/captive screws GB 837-88	For assembly of front panels if threaded strips are used	Stainless steel	M2.5*12	100	00100006
	One word/captive screw GB 837-88	For assembly of front panels if threaded strips are used	Stainless steel	M2.5*12	100	00100007
	Collar screw with Pozidrive/slot GB 837-88	For assembly of front panels if threaded strips are used	Stainless steel	M2.5*12	100	00100008
	One word/captive screw GB 837-88	For assembly of front panels if threaded strips are used	Stainless steel	M2.5*12	100	00100009
	Torx collar screw GB 837-88	For assembly of front panels if threaded strips are used	Stainless steel	M2.5*12	100	00100010
	Collar screw with knurled head GB 837-88	For assembly of front panels if threaded strips are used	Stainless steel	M2.5*17	100	00100011
	Collar screw with knurled head GB 837-88	For assembly of front panels if threaded strips are used	Stainless steel	M2.5*18.5	100	00100012
	Collar screw with knurled head GB 837-88	For assembly of front panels if threaded strips are used	Stainless steel	M2.5*19	100	00100013
	Collar screw with knurled head GB 837-88	For assembly of front panels if threaded strips are used	Stainless steel	M2.5*17.5	100	00100014
	Pozidrive c/sk screw GB/T819.1-2000	For plastic handle 3 HP/4 HP on front panel of plug-in	Stainless steel	M2.5*5	100	00100032
	Pozidrive c/sk screw GB/T819.1-2000	For plastic handle 3 HP/4 HP on front panel of plug-in units	Stainless steel	M2.5*6	100	00100033
	Pozidrive c/sk screw GB/T819.1-2000	For printed boards on front panel	Stainless steel	M2.5*8	100	00100034
	Pozidrive c/sk screw GB/T819.1-2000	For printed boards on front panel	Stainless steel	M2.5*8	100	00100035
	Countersunk screw pozidrive/slot GB/T819.1-2000	For horizontal rail on side panel if guide rail bolted onto pin position	Stainless steel	M2.5*11	100	00100036
	Pozidrive c/sk screw GB/T819.1-2000	For printed board bracket on the front panel	Stainless steel	M2.5*10	100	00100037
	Pozidrive c/sk screw GB/T819.1-2000	To screw on cover plate	Stainless steel	M3*6	100	00100038
	Pozidrive c/sk screw GB/T819.1-2000	For printed board bracket on the front panel	Stainless steel	M3*8	100	00100039
	Pozidrive c/sk screw GB/T819.1-2000	For printed board bracket on the front panel	Stainless steel, Black	M3*8	100	00100040

## Screw

Description	Application	Material	Size	Qty/PU	Order no	
Pan head Pozidrive c/sk screw GB/T818-2000	For brackets on plug-in units	Stainless steel	M2.5*4	100	00100015	EM&EG- PRO 系列插箱
Pan head Pozidrive c/sk screw GB/T818-2000	For Z or perforated rails on horizontal rails	Stainless steel, Black	M2.5*5	100	00100016	EM&EG- PRO 系列插箱
Pan head Pozidrive c/sk screw GB/T818-2000	For spring contact strips on Z-rail cable ducting	Stainless steel	M2.5*6	100	00100002	的波普 插箱附件及配件
Pan head Pozidrive c/sk screw GB/T818-2000	For prined boards on printed board bracket	Stainless steel	M2.5*8	100	00100017	的波普 插箱附件及配件
Pan head Pozidrive c/sk screw GB/T818-2000	For prined boards on printed board bracket	Stainless steel	M2.5*10	100	00100018	19" 1U/1P 系列插箱
Pan head Pozidrive c/sk screw GB/T818-2000	For handles on plug-in units	Stainless steel	M2.5*12	100	00100019	SNCT 系列插箱
Pan head Pozidrive c/sk screw GB/T818-2000	For handles on plug-in units	Stainless steel, Without glue	M2.5*16	100	00100020	的波普 插箱附件及配件
Pan head Pozidrive c/sk screw GB/T818-2000	For handles on plug-in units	Stainless steel, With glue	M2.5*16	100	00100021	的波普 插箱附件及配件
Pan head Pozidrive c/sk screw GB/T818-2000	For backplane assembly	Stainless steel, Without glue	M2.5*16	100	00100022	VERO 系列插箱
Pan head Pozidrive c/sk screw GB/T818-2000	For backplane assembly	Stainless steel, With glue	M2.5*16	100	00100023	VERO 系列插箱
Pan head Pozidrive c/sk screw GB/T818-2000	For rear panel assembly	Stainless steel	M3*8	100	00100024	的波普 系列插箱
Pan head Pozidrive c/sk screw GB/T818-2000	For printed boards on front panel	Stainless steel	M5*12	100	00100025	的波普 系列插箱
Collar screw with Pozidrive/slot GB/T818-2000	For printed boards on front panel	Nickel plated	M2.5*11	100	00100002	CASE 系列插箱
Screw+securing washer GB/T9074.4-2018	For backplane assembly	Stainless steel	M2.5*12	100	00100027	ADD 系列插箱
Screw+securing washer GB/T9074.4-2018	For printed boards on front panel	Stainless steel	M5*12	100	00100028	的波普 系列插箱
Square nut GB 39-88	For handle on front panel of plug-in	Stainless steel	M2.5	100	00100001	的波普 系列插箱
Hex nut GB/T41-2000	For printed boards on front panel	Stainless steel	M2.5	100	00100029	的波普 系列插箱
Metal sleeve	For assembly of front panels	Plastic	M2.5	100	00100054	的波普 系列插箱
Metal sleeve	For assembly of front panels	Brass, nickelplated	M2.5	100	00100030	的波普 系列插箱
Cover plate printed board bracket	Assembly of cover plate and Side panel	Stainless steel	/	10	00100031	的波普 系列插箱
Plastic parts	V-handle to panel assembly	Plastic	/	100	00100003	的波普 系列插箱



## Screw

	Description	Application	Material	Size	Qty/PU	Order no
EM143EG PSC 系列模组	Torx panhead screw GB 2672-86	For prined board assembly	Stainless steel	M2.5*6	100	00100041
EM143EG PSC 系列模组	Torx panhead screw GB 2672-86	For Z-rails and connector assembly	Stainless steel	M2.5*7	100	00100042
EM143EG PSC 系列模组	Torx panhead screw GB 2672-86	For perforated rail	Stainless steel	M2.5*10	100	00100043
EM143EG PSC 系列模组	Torx panhead screw GB 2672-86	For backplane assembly	Stainless steel	M2.5*14	100	00100044
EM143EG PSC 系列模组	Torx panhead screw GB 2672-86	To screw on cover plate or chssis plate	Stainless steel	M4*6	100	00100049
EM143EG PSC 系列模组	Torx panhead screw GB 2672-86	For horizontal rail on side panel if guide rail bolted onto pin position	Stainless steel	M4*10	100	00100050
EM143EG PSC 系列模组	Torx panhead screw GB 2672-86	For horizontal rail on side panel if guide rail bolted onto pin position	Stainless steel	M4*14	100	00100051
EM143EG PSC 系列模组	Torx countersunk screw GB 2672-86	For contact strips europacPRO,ratiopacPRO	Stainless steel	M4*5	100	00100048
EM143EG PSC 系列模组	Torx countersunk screw, self-tapping GB 2672-86	Used for fixing aluminum profile guide rail	Stainless steel	M2.5*7.3	100	00100043
EM143EG PSC 系列模组	Torx countersunk screw, self-tapping GB 2672-86	Used for fixing plastic guide rail	Stainless steel	M2.5*9.3	100	00100044
EM143EG PSC 系列模组	Torx countersunk screw, self-tapping GB 2672-86	For backplane assembly	Stainless steel	M2.5*12	100	00100045
EM143EG PSC 系列模组	Torx panhead screw GB 2672-86	For prined boards on printed board bracket	St,zinc-plated	M2.5*6	100	00100054
EM143EG PSC 系列模组	Torx panhead screw GB 2672-86	For Z or perforated rails on horizontal rails	St,zinc-plated	M2.5*7	100	00100055
EM143EG PSC 系列模组	Torx panhead screw GB 2672-86	For perforated rail	St,zinc-plated	M2.5*10	100	00100056
EM143EG PSC 系列模组	Torx panhead screw GB 2672-86	For backplane assembly	St,zinc-plated	M2.5*14	100	00100057
EM143EG PSC 系列模组	Torx panhead screw GB 2672-86	To screw on cover plate or chssis plate	St,zinc-plated	M4*6	100	00100058
EM143EG PSC 系列模组	Torx panhead screw GB 2672-86	For horizontal rail on side panel if guide rail bolted onto pin position	St,zinc-plated	M4*10	100	00100059
EM143EG PSC 系列模组	Torx panhead screw GB 2672-86	For horizontal rail on side panel if guide rail bolted onto pin position	St,zinc-plated	M4*14	100	00100060
EM143EG PSC 系列模组	Torx countersunk screw GB 2672-86	For contact strips europacPRO,ratiopacPRO	St,zinc-plated	M4*5	100	00100061
EM143EG PSC 系列模组	Torx countersunk screw, self-tapping GB 2672-86	Used for fixing aluminum profile guide rail	St,zinc-plated	M2.5*7.3	100	00100062
EM143EG PSC 系列模组	Torx countersunk screw, self-tapping GB 2672-86	Used for fixing plastic guide rail	St,zinc-plated	M2.5*9.3	100	00100063
EM143EG PSC 系列模组	Torx countersunk screw, self-tapping GB 2672-86	For backplane assembly	St,zinc-plated	M2.5*12	100	00100064
EM143EG PSC 系列模组	Grub screw DIN553-1986	For threaded inserts M2.5	Stainless steel	M2.5*8	100	00100052
EM143EG PSC 系列模组	Grub screw DIN553-1986	For threaded inserts M2.5 and perforated strips	Stainless steel	M2.5*9	100	00100053