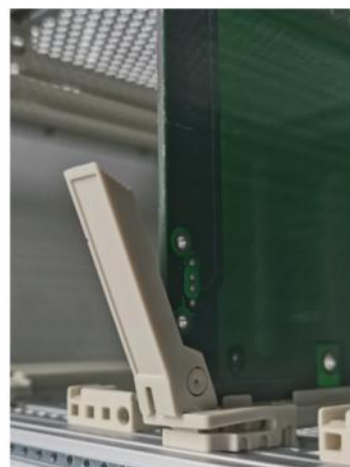
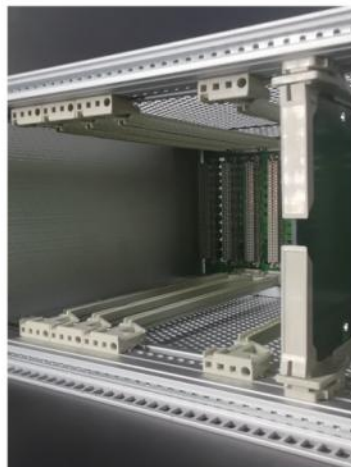


Printed board handle



Product description

- Can be used to fix PCB boards without front panel
- Can be installed in the upper and lower rails of the subrack
- Can only be used with card holder and card guide, minimum distance between guides is 3HP
- Can be labeled or screen printed
- The bottom part can also be used separately as a fixed protection for plug-in cards

Performance description

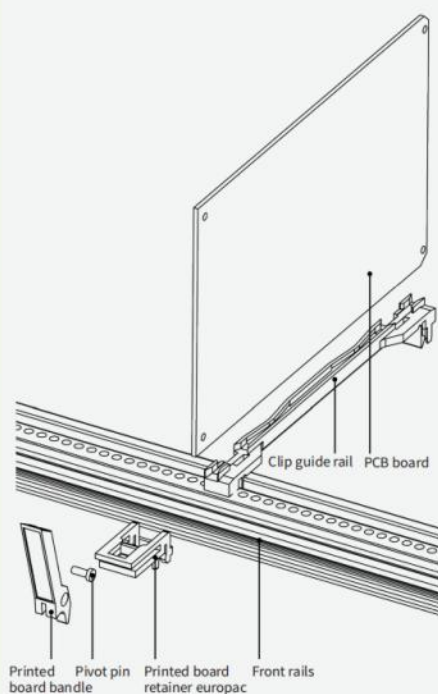
- High-temperature aging standard: GB/T7141-2008, 90°C, 6h
- Low temperature embrittlement standard: GB/T5470-2008, -55°C
- Fire retardant standard: UL94V-0, EN45545-2
- Fire resistance standard: EN 45545-2:2013+A1:2015(E)
- ROHS standard: 2011/65/EU

Material and finish

- PC+20% GF

Delivery Comprises(kit)

Name	3U Qty	6U Qty	Order no	Description
Printed board handle(Top)	/	1	1002249	Only use printed board handle in conjunction with printed board retainer, The front side can be silkscreened
Printed board handle(Bottom)	1	1	1002250	Only use printed board handle in conjunction with printed board retainer, The front side can be silkscreened
Pivot pin	1	2	/	Parts matched with printed board handle, PC+20%GF
Printed board retainer europac	2	2	1002309	Can also be used without printed board handle, RAL7032
Front rails	1	1	/	Used for installation of guide rail and fixing of Front panel
Clip guide rail	2	2	1001045	Used for 1.6-2.0mm thick PCB board, 160mm
Clip guide rail	2	2	1001044	Used for 1.6-2.0mm thick PCB board, 220mm



C-type handle combination component

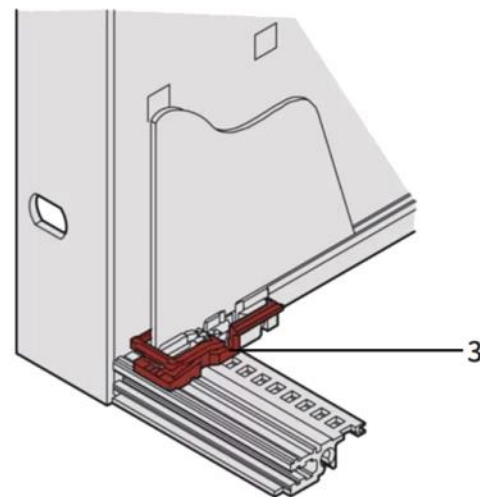
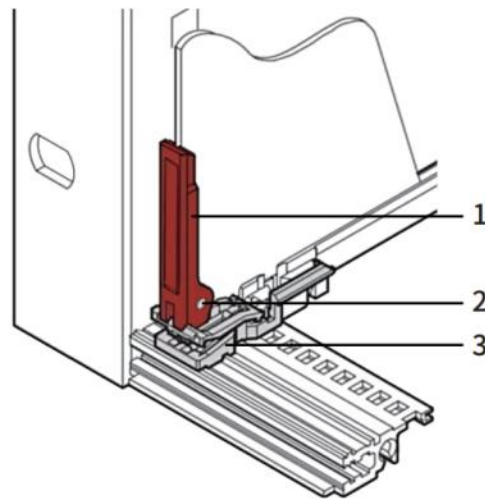
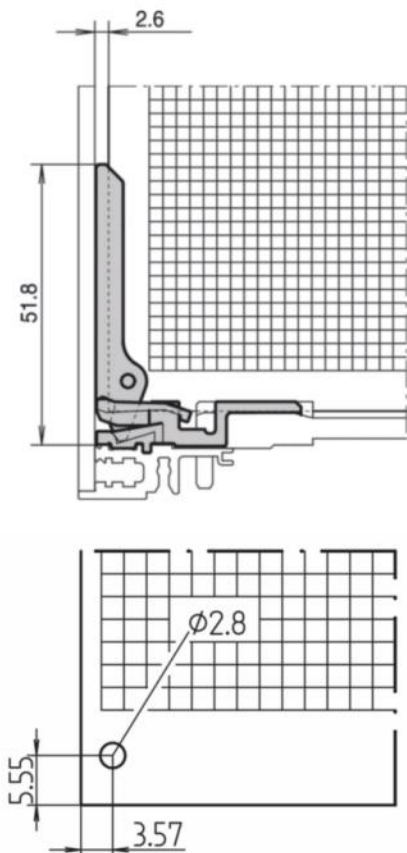
Printed Circuit Board C-Handle Assembly

- Printed circuit board C-type handle, can only be used in conjunction with PCB holder C-type
- PCB holder C-type, can be used for fixing PCB boards without front panels
- PCB holder C-type, can be installed on the upper and lower crossbeams of the subracks
- The component is only used in conjunction with B-type short end guide rails and B-type reinforced guide rails
- Can be used for BEK series chassis and BEG series subracks

Order information

Ltem	Name	Material	Color	Order no
1	Printed circuit board C-handle	PBTP,UL94V-0	Red	1002363
2	Printed circuit board C-handle fixing pin	PBTP,UL94V-0	Red	1002363-1
3	PCB holder C-type	PPO,UL94V-0	Red	1002362

Installation dimensions



- EK&BEG PRO Series Subracks
- EK&BEG+PRO Series Subracks
- BEK&BEG PRO Series Subracks
- Handle specification and accessories
- Guide rail specification and accessories
- 19" CUR Series Subracks
- SNCF Series Subracks
- Shielded plug-in units Series Subracks
- VERO Series Subracks
- Protective Series Subracks
- CASE Series Subracks
- Type A Series Subracks
- Rugged Subracks Side panel
- RN-S Series Subracks
- Subracks Accessories
- Panel component
- Order no. and page Table