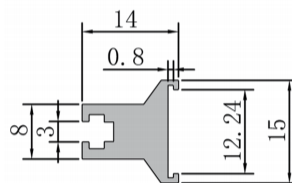
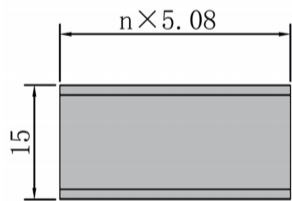
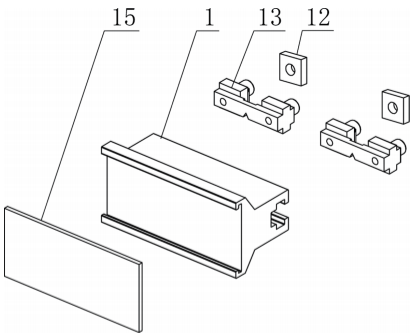
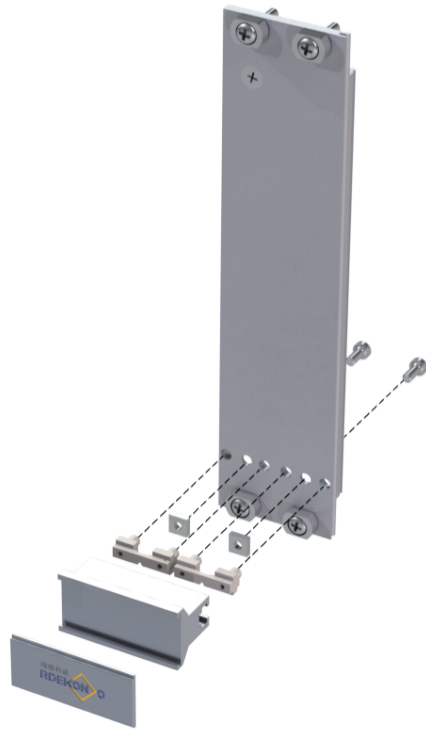


Static handle specification

V-Handle component



Delivery Comprises(kit)

Item	Name	Qty	Order no	Description
1	V-Handle	1	/	V-Handle,Al anodised
12	Square Nut	2	1005002	Square Nut,M2.5 Stainless steel
13	Plastic parts	2	1000066	Plastic parts,PC GF20%(7035)
15	Identification plate	1	/	Al, 1.5 mm, anodised,cut edges plain

Order information

HP Width	Square Nut Qty	Plastic parts Qty	Order no
4	1	1	04010201
5	1	1	05010201
6	2	2	06010202
7	2	2	07010202
8	2	2	08010302
9	2	2	09010303
10	2	2	10010303
11	2	2	11010303
12	2	2	12010404
13	2	2	13010404
14	2	2	14010505
15	2	2	15010505
16	2	2	16010505
17	2	2	17010606
18	2	2	18010606
19	2	2	19010606
20	2	2	20010707
21	2	2	21010707
22	2	2	22010707
23	2	2	23010808
24	2	2	24010808
25	2	2	25010808
26	2	2	26010909
27	2	2	27010909
28	2	2	28011010
1m	/	/	10017070

Screw Order information

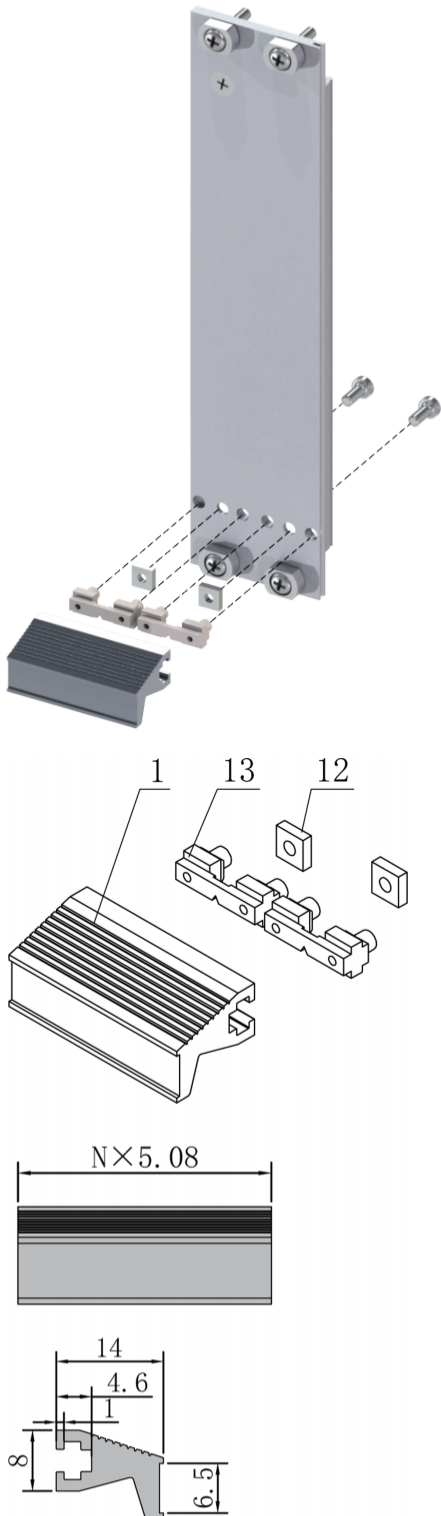
Name	Qty/Up	Order no
Square Nut	100	0010001
Set screw	50	0010002
Plastic parts	100	0010003

Note:

- V handle can only be used with PCB fixed block (1015005, 1015004), PCB bracket (1015016)
- Screw: Cross pan head M2.5 x 6

Static handle specification

VI-Handle component



Delivery Comprises(kit)

Item	Name	Qty	Order no	Description
1	VI-handle	1	/	VI-handle,Al anodised
12	Square Nut	2	1005002	Square Nut, M2.5 Stainless steel
13	Plastic parts	2	1000066	Plastic parts, PC GF20%(7035)

Order information

HP Width	Square Nut Qty	Plastic parts Qty	Order no
4	1	1	04020201
5	1	1	05020201
6	2	2	06020202
7	2	2	07020202
8	2	2	08020302
9	2	2	09020303
10	2	2	10020303
11	2	2	11020303
12	2	2	12020404
13	2	2	13020404
14	2	2	14020505
15	2	2	15020505
16	2	2	16020505
17	2	2	17020606
18	2	2	18020606
19	2	2	19020606
20	2	2	20020707
21	2	2	21020707
22	2	2	22020707
23	2	2	23020808
24	2	2	24020808
25	2	2	25020808
26	2	2	26020909
27	2	2	27020909
28	2	2	28021010
1m	/	/	10027070

Screw Order information

Name	Qty/Up	Order no
Square Nut	100	0010001
Set screw	50	0010002
Plastic parts	100	0010003

Note:

- VI handle can only be used with PCB fixed block (1015005, 1015004), PCB bracket (1015016)
- Screw: Cross pan head M2.5 x 6

EK&EG PRO Series Subracks
EK&EG+ PRO Series Subracks
BEK&BEG PRO Series Subracks
Handle specification and accessories
Guiderrail specification and accessories
19"CUR Series Subracks
SNCF Series Subracks
Shielded plug-in units Series Subracks
VERO Series Subracks
Protective Series Subracks
CASE Series Subracks
Type A Series Subracks
Rugged Subracks Side panel
IN-S Series Subracks
Subracks Accessories
Panel component
Order no. and page Table

Static handle specification



V-shaped plastic handle B component

V-shaped plastic handle B

Delivery includes

Ltem	Name	Description
1a/1c	V-shaped plastic handle B	Fixed handle, PPE UL 94V-1, Grey or black
2	V-shaped plastic handle scutcheon	Handle label panel, aluminum, 1.5mm

Order information

Ltem	Width HP	Width mm	Order no Grey	Order no Black
1a	4	18.9	1030075	1030098
1c	5	24	1030085	1030099
1c	6	29	1030076	1030100
1c	7	34.1	1030089	1030101
1c	8	39.2	1030077	1030102
1c	10	49.4	1030086	1030103
1c	12	59.6	1030078	1030104
1c	14	69.7	1030087	1030105
1c	21	105.2	1030088	1030106

Order information

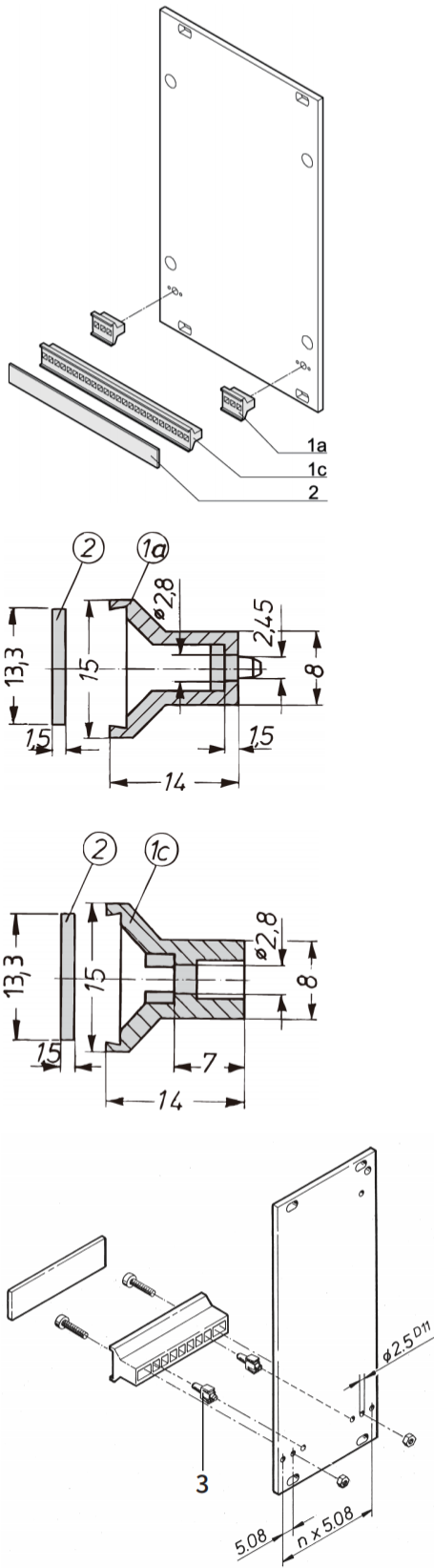
Ltem	Width HP	Order no
2	4	1025010
2	5	1030090
2	6	1030091
2	7	1030092
2	8	1030093
2	10	1030094
2	12	1030095
2	14	1030096
2	21	1030097

V-shaped plastic handle fixing pin

- Handle available for 5 HP to 21 HP
- For fixed plastic handle (1c)

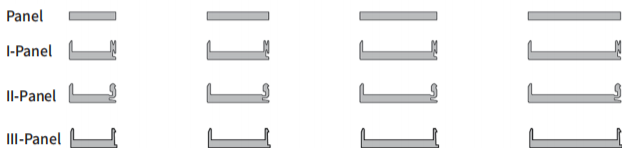
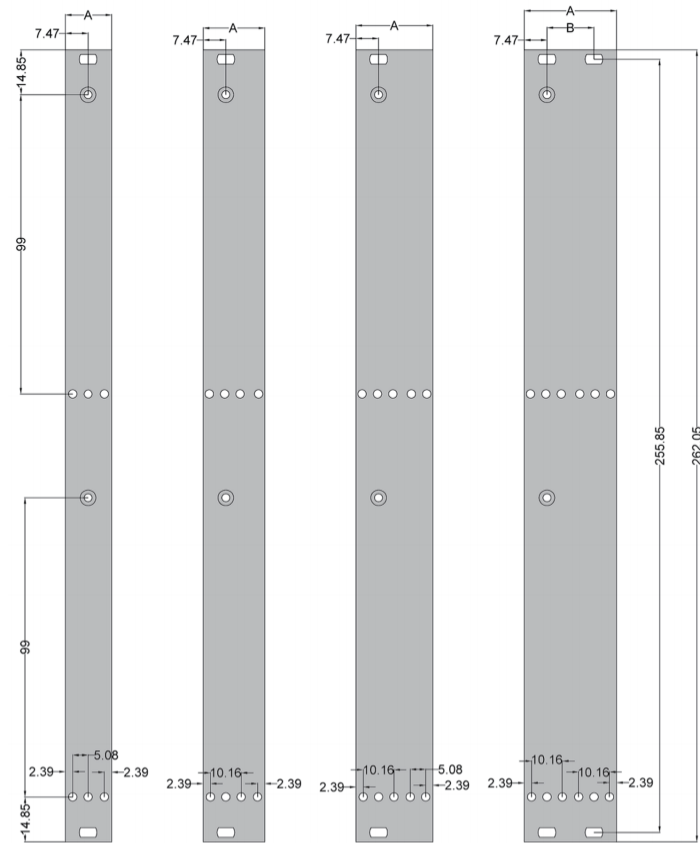
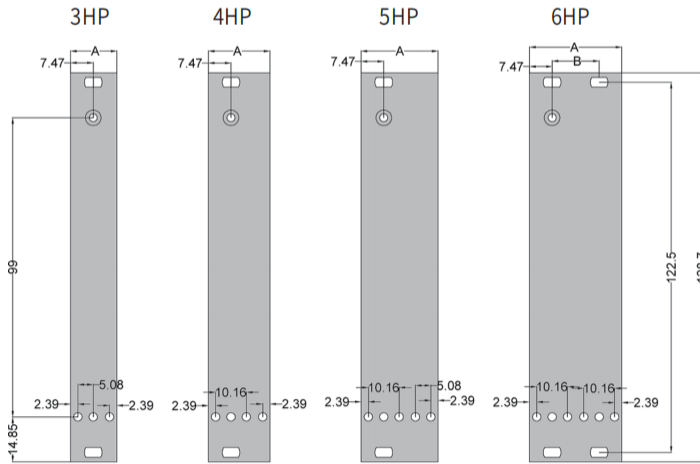
Order information

Ltem	Name	Material	Color	Order no
3	V-shaped plastic handle fixing pin	PPE,UL94-0	Black	1030083



Panel component

V-Handle, FRONT PANELS, U PROFILES, Cut-Size



Delivery includes

Item Name	Qty	Description
5 Panel	1	Front panel (U profile), Al, front anodised, rear conductive

Panel Order information

Width HP	Amm	Bmm	3U Order no	6U Order no
3	14.9	-	00130304	00160304
4	19.98	-	00130404	00160404
5	25.06	-	00130504	00160504
6	30.14	-	00130604	00160604
7	35.22	-	00130704	00160704
8	40.3	25.4	00130804	00160804
10	50.46	35.56	00131004	00161004
12	60.62	45.72	00131204	00161204

I Panel Order information

Width HP	Amm	Bmm	3U Order no	6U Order no
3	14.9	-	00130301	00160301
4	19.98	-	00130401	00160401
5	25.06	-	00130501	00160501
6	30.14	-	00130601	00160601
7	35.22	-	00130701	00160701
8	40.3	25.4	00130801	00160801
10	50.46	35.56	00131001	00161001
12	60.62	45.72	00131201	00161201

II Panel Order information

Width HP	Amm	Bmm	3U Order no	6U Order no
3	14.9	-	00130302	00160302
4	19.98	-	00130402	00160402
5	25.06	-	00130502	00160502
6	30.14	-	00130602	00160602
7	35.22	-	00130702	00160702
8	40.3	25.4	00130802	00160802
10	50.46	35.56	00131002	00161002
12	60.62	45.72	00131202	00161202

III Panel Order information

Width HP	Amm	Bmm	3U Order no	6U Order no
3	14.9	-	00130303	00160303
4	19.98	-	00130403	00160403
5	25.06	-	00130503	00160503
6	30.14	-	00130603	00160603
7	35.22	-	00130703	00160703
8	40.3	25.4	00130803	00160803
10	50.46	35.56	00131003	00161003
12	60.62	45.72	00131203	00161203

EK&EG PRO Series Subracks
 EK&EG+PRO Series Subracks
 BEK&BEG PRO Series Subracks
 Handle specification and accessories
 Guide rail specification and accessories
 19" CUR Series Subracks
 SNCF Series Subracks
 Shielded plug-in units Series Subracks
 VERO Series Subracks
 Protective Series Subracks
 CASE Series Subracks
 Type A Series Subracks
 Rugged Subracks Side panel
 IN-S Series Subracks
 Subracks Accessories
 Panel component
 Order no. and page Table