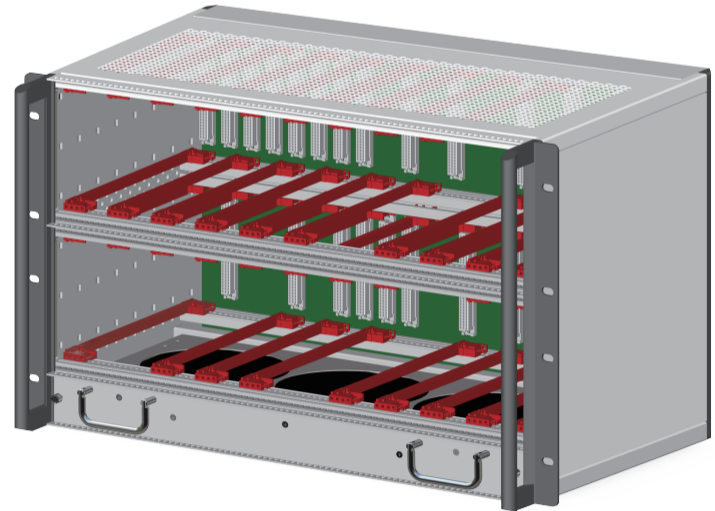


IN-S Subracks



IN-S Subracks

- Desktop cabinet pre configured according to IEC 60297-3-101 standard, applicable to European board and backplane with insulating strips
- EMC shielding components can be added
- This version has a covering strip and no visible screws
- Subracks with integrated ventilation fan (2 x 1/2 U)
- Symmetrical design, same front and rear/front flange (including Handle integrated profile)
- Honeycomb mesh ventilation/non ventilation of top cover and bottom plate
- Applicable to 160 mm, 220 mm, 280 mm, and 340 mm board depth (depending on subracks depth)
- Conform to DIN EN 62368-1

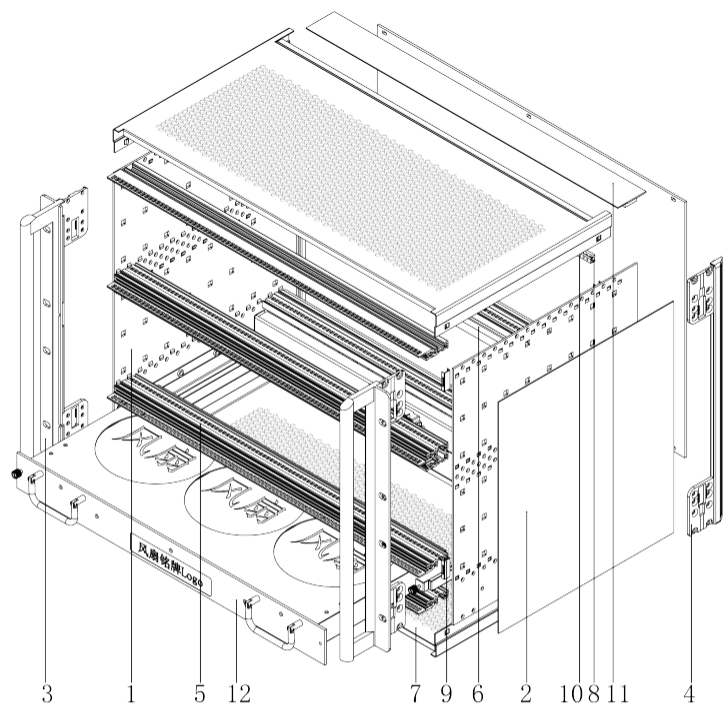


Delivery Comprises(kit)

Item	Name	Qty	Model
1	Side panel	2	/
2	Side panel baffle	2	/
3	Front bracket	2	/
4	Rear bracket	2	/
5	Front rails	5	/
6	Rear rails	6	/
7	Cover plate	2	/
8	Insulation strip	6	/
9	Side panel baffle circlip	8	/
10	Threaded insert	11	/
11	Rear fixing strip	2	/
12	Fan insert	1	/
13	EMC gasket (Front rails)	5	/
14	EMC textile gasket	2	/
15	EMC gasket (Cover plate)	4	/

Order information

Height h	Width W	Depth D	Order no
7U	42TE	245mm	04724542
7U	42TE	285mm	04728542
7U	42TE	345mm	04734542
7U	63TE	245mm	04724563
7U	63TE	285mm	04728563
7U	63TE	345mm	04734563
7U	84TE	245mm	04724584
7U	84TE	285mm	04728584
7U	84TE	345mm	04734584



IN-S Subracks



IN-S Subracks

- Desktop cabinet pre configured according to IEC 60297-3-101 standard, applicable to European board and backplane with insulating strips
- EMC shielding components can be added
- This version has a covering strip and no visible screws
- Subracks with integrated ventilation fan (2 x 1/2 U)
- Symmetrical design, same front and rear/front flange (including Handle integrated profile)
- Honeycomb mesh ventilation/non ventilation of top cover and bottom plate
- Applicable to 160 mm, 220 mm, 280 mm, and 340 mm board depth (depending on subracks depth)
- Conform to DIN EN 62368-1

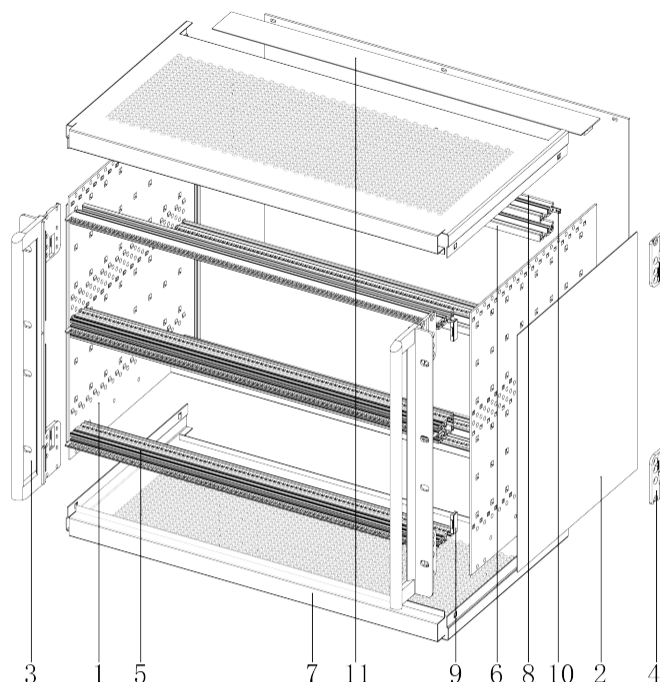


Delivery Comprises(kit)

Item	Name	Qty	Model
1	Side panel	2	/
2	Side panel baffle	2	/
3	Front bracket	2	/
4	Rear bracket	2	/
5	Front rails	4	/
6	Rear rails	6	/
7	Cover plate	2	/
8	Insulation strip	6	/
9	Side panel baffle circlip	8	/
10	Threaded insert	10	/
11	Rear fixing strip	2	/
12	EMC gasket (Front rails)	4	/
13	EMC textile gasket	2	/
14	EMC gasket (Cover plate)	4	/

Order information

Height h	Width W	Depth D	Order no
7U	42TE	245mm	05724542
7U	42TE	285mm	05728542
7U	42TE	345mm	05734542
7U	63TE	245mm	05724563
7U	63TE	285mm	05728563
7U	63TE	345mm	05734563
7U	84TE	245mm	05724584
7U	84TE	285mm	05728584
7U	84TE	345mm	05734584



- EK&EG PRO Series Subracks
- EK+EG+PRO Series Subracks
- BEK&BEG PRO Series Subracks
- Handle specification and accessories
- Guide rail specification and accessories
- 19" CUR Series Subracks
- SNCF Series Subracks
- Shielded plug-in units Series Subracks
- VERO Series Subracks
- Protective Series Subracks
- CASE Series Subracks
- Type A Series Subracks
- Rugged Subracks Side panel
- IN-S Series Subracks**
- Subracks Accessories
- Panel component
- Order no. and page Table