



Standards/certifications

Inner and outer dimensions meet: IEC 60297-3-100, -101, -102, -103, -104, -105, IEEE1101.1 and IEEE1101.10/11 Type of protection IP20 in accordance with IEC 60529

EMC testing to IEC 61587-3

Shock and vibration test reports: German "Bahn" standards BN 411002, BN 411003; NF F 60002, NF F 67012, IEC 61587-2, EN 50155, part 12.2.11

Customized service

Customize the side panel of the Subracks

Panel and panel opening, screen printing

19" CUR Series Subrack Introduction

The 19" CUR series of subracks is a series of subracks developed by **RDEKONO** for the application of 19" standard subracks. The 19" CUR series has been proven to be a stable and rugged subracks that meets all the requirements of the 19" standard size and application

19" CUR Series Subracks introduction

The 19" CUR series subrack is an electronic subrack for a wide range of standard electronic equipment and user-defined electronic systems for 19"

19" CUR 系列机箱的特点

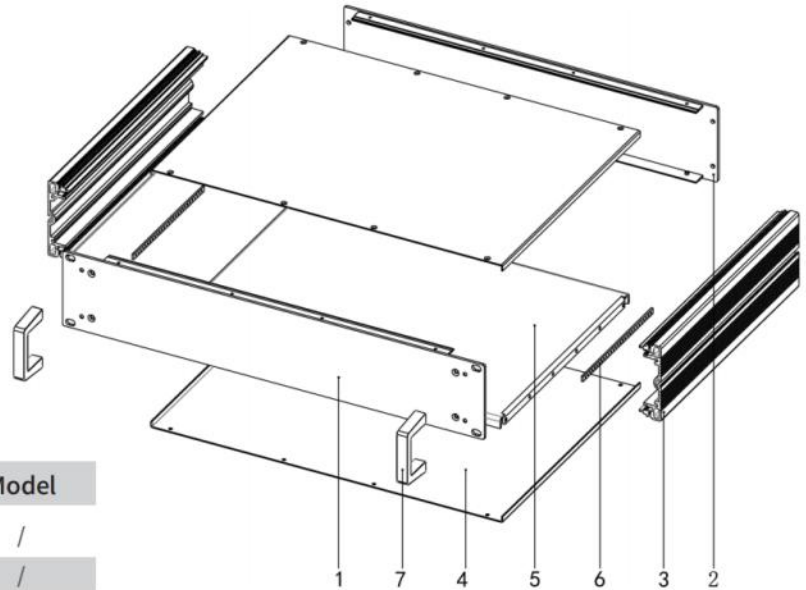
- **RDEKONO's** 19" CUR series subracks are manufactured using advanced technology
- The 19" CUR series is compliant with the 19" standard and easy to assemble (Refer to the company's 19" standard summary manual for details). Fully embodies the characteristics and advantages of standardization, modularization and serialization
- All series of products use a combination of common standard parts, reflecting a high degree of flexibility, customers can use common standard parts or customized products according to specific needs vibration, shock test standards: according to IEC 61587-1, NE50155, BN411002, NF F67012, NF F67002 test.
- Subracks with good electromagnetic shielding performance

19"CUR Series Subracks



19"CUR Subrack

- Aluminum profile panel, the main body of the subrack is covered with aluminum zinc plate
- Detachable rear panel for easy installation
- Standard 19" power supply or ATX power supply can be installed
- Can be used to install irregularly shaped boards or power modules
- Standard 19" mounting is available, as well as slide-in mounting



Delivery includes

Item	Name	Qty	Model
1	Front panel	1	/
2	Rear panel	1	/
3	Side panel	2	/
4	Cover plate	2	/
5	Mounting plate	1	/
6	Threaded insert	2	/
7	Handle	1	Choice

Order information

Height	Width	Depth	Model	Order no
1U	84TE	220	Perforated	7184-22011
1U	84TE	220	Without holes	7184-22001
1U	84TE	280	Perforated	7184-28011
1U	84TE	280	Without holes	7184-28001
1U	84TE	340	Perforated	7184-34011
1U	84TE	340	Without holes	7184-34001
2U	84TE	220	Perforated	7284-22011
2U	84TE	220	Without holes	7284-22001
2U	84TE	280	Perforated	7284-28011
2U	84TE	280	Without holes	7284-28001
2U	84TE	340	Perforated	7284-34011
2U	84TE	340	Without holes	7284-34001

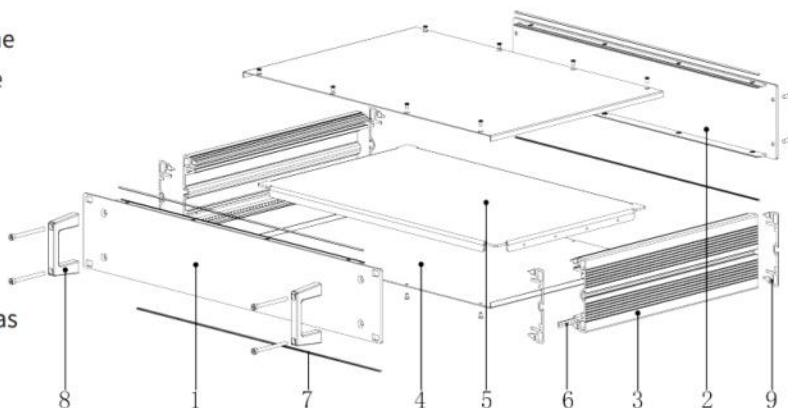
Height	Width	Depth	Model	Order no
3U	84TE	280	Perforated	7384-28011
3U	84TE	280	Without holes	7384-28001
3U	84TE	340	Perforated	7384-34011
3U	84TE	340	Without holes	7384-34001
3U	84TE	400	Perforated	7384-40011
3U	84TE	400	Without holes	7384-40001
3U	84TE	460	Perforated	7384-46011
3U	84TE	460	Without holes	7384-46001
4U	84TE	280	Perforated	7484-28011
4U	84TE	280	Without holes	7484-28001
4U	84TE	340	Perforated	7484-34011
4U	84TE	340	Without holes	7484-34001
4U	84TE	400	Perforated	7484-40011
4U	84TE	400	Without holes	7484-40001
4U	84TE	460	Perforated	7484-46011
4U	84TE	460	Without holes	7484-46001
5U	84TE	460	Perforated	7584-46011
5U	84TE	460	Without holes	7584-46001

19"CUR Series Subracks



19"EMC Shielded Subracks

- Aluminum profile panel, the main body of the subrack is covered with aluminum zinc plate
- Detachable rear panel for easy installation
- Standard 19" power supply or ATX power supply can be installed
- Can be used to install irregularly shaped boards or power modules
- Standard 19" mounting is available, as well as slide-in mounting
- EMC suite can be added to form a shielding subracks



Delivery includes

Item	Name	Qty	Model
1	Front panel	1	/
2	Rear panel	1	/
3	Side panel	2	/
4	Cover plate	2	/
5	Mounting plate	1	/
6	Threaded insert	2	/
7/9	EMC components	4	/
8	Handle	2	Choice

Order information

Height	Width	Depth	Model	Order no
1U	84TE	220	Perforated	7184-2200
1U	84TE	220	Without holes	7184-2201
1U	84TE	280	Perforated	7184-2800
1U	84TE	280	Without holes	7184-2801
1U	84TE	340	Perforated	7184-3400
1U	84TE	340	Without holes	7184-3401
2U	84TE	220	Perforated	7284-2200
2U	84TE	220	Without holes	7284-2201
2U	84TE	280	Perforated	7284-2800
2U	84TE	280	Without holes	7284-2801
2U	84TE	340	Perforated	7284-3400
2U	84TE	340	Without holes	7284-3401

Height	Width	Depth	Model	Order no
3U	84TE	280	Perforated	7384-2800
3U	84TE	280	Without holes	7384-2801
3U	84TE	340	Perforated	7384-3400
3U	84TE	340	Without holes	7384-3401
3U	84TE	400	Perforated	7384-4000
3U	84TE	400	Without holes	7384-4001
3U	84TE	460	Perforated	7384-4600
3U	84TE	460	Without holes	7384-4601
4U	84TE	280	Perforated	7484-2800
4U	84TE	280	Without holes	7484-2801
4U	84TE	340	Perforated	7484-3400
4U	84TE	340	Without holes	7484-3401
4U	84TE	400	Perforated	7484-4000
4U	84TE	400	Without holes	7484-4001
4U	84TE	460	Perforated	7484-4600
4U	84TE	460	Without holes	7484-4601
5U	84TE	460	Perforated	7584-4600
5U	84TE	460	Without holes	7584-4601

EK&EG PRO Series Subracks
 EK+MEG+ PRO Series Subracks
 BEK&BEG PRO Series Subracks
 Handle specification and accessories
 Guide rail specification and accessories
 19"CUR Series Subracks
 SNCF Series Subracks
 Shielded plug-in units Series Subracks
 VERO Series Subracks
 Protective Series Subracks
 CASE Series Subracks
 Type A Series Subracks
 Rugged Subracks Side panel
 IN-S Series Subracks
 Subracks Accessories
 Panel component
 Order no. and page Table

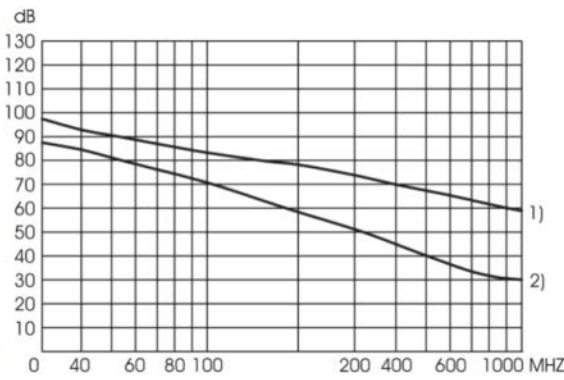
19"CUR Series Subracks



19"CUR Subrack shielding effectiveness

- 19"EMC subrack has remarkable shielding effect
- The shielding effect can reach the national military standard C level
- The test results are as shown in the figure

Shielded accessories



Measurement Report	
Report Number	DZ2023A077 P3/6
Product name	19"CUR Shielded cabinet
Company Location	Beijing Dongcheng District ChaCi Community Building 15 Room 905
Model specifications	Z084TE34000
Manufacturer	Beijing Ruide Kono Electronic Equipment Co., Ltd
Requester	Beijing Ruide Kono Electronic Equipment Co., Ltd
Measurement Type	EMC Measurement
Tested Date	2023年7月10日
Measured Frequency	15MHz, 100MHz, 450MHz, 950MHz, 1GHz
Measured Standard	GB/T 38708-2020 0.1m-2m Measurement method for shielding effectiveness of shielding shells
Notes	The inspection focuses on testing the weak parts of the shielding performance of the shielding case, such as joints, doors, etc, please see report result on page 5
Main inspection	李超 2023.7.13
Verification	张长庚 2023.7.13
Approval (Manager)	李超 2023.7.13

Measurement Report	
Report No.	DZ2023A077 P4/6
Test Position and Test Point Numbering	
Beijing Base Technology Co., Ltd. Testing Department Tel: 010-64373942 Fax: 010-64373942-8011 Email: z0734@vip.sina.com	

Measurement Report						
Report No.	DZ2023A077 P5/6					
Test Conditions: 20°C/20%RH						
Measurement Project	Measured Frequency	Measured Point	# of Test Points	Unshielded Spatial Signal (Unit: dBμV)	Shielded Inside Box (Unit: dBμV)	Shielding Effectiveness (Unit: dB)
Shielding Effectiveness	15MHz	A (front)	1	88	5	83
		B (the right side)	2	88	3	85
		C (behind)	3	88	2	86
		D (the left side)	4	88	1	87
		E (above)	5	88	0	88
		F (below)	6	88	0	88
	100MHz	A (front)	1	85	22	63
		B (the right side)	2	85	21	64
		C (behind)	3	85	17	68
		D (the left side)	4	85	16	69
		E (above)	5	85	20	65
		F (below)	6	85	28	57
	450MHz	A (front)	1	80	25	55
		B (the right side)	2	80	24	56
		C (behind)	3	80	24	56
		D (the left side)	4	80	23	57
		E (above)	5	80	28	52
		F (below)	6	80	26	54
	1GHz	A (front)	1	75	36	39
		B (the right side)	2	75	36	39
		C (behind)	3	75	38	37
		D (the left side)	4	75	37	38
		E (above)	5	75	40	35
		F (below)	6	75	39	36

Notes: Shielding Effectiveness = Unshielded Spatial Signal - Signal Inside Shielded Box

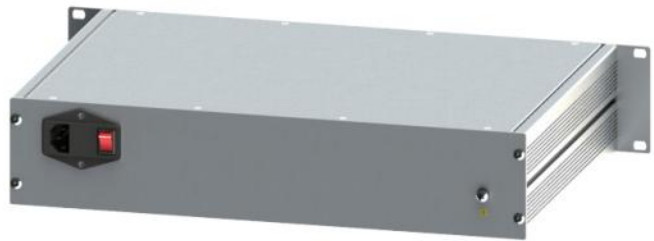
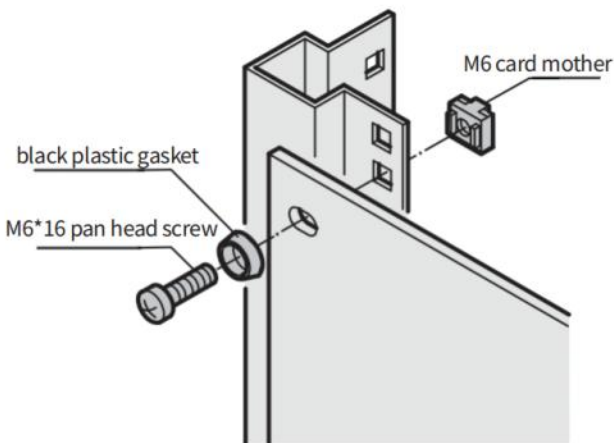
19"CUR Series Subracks



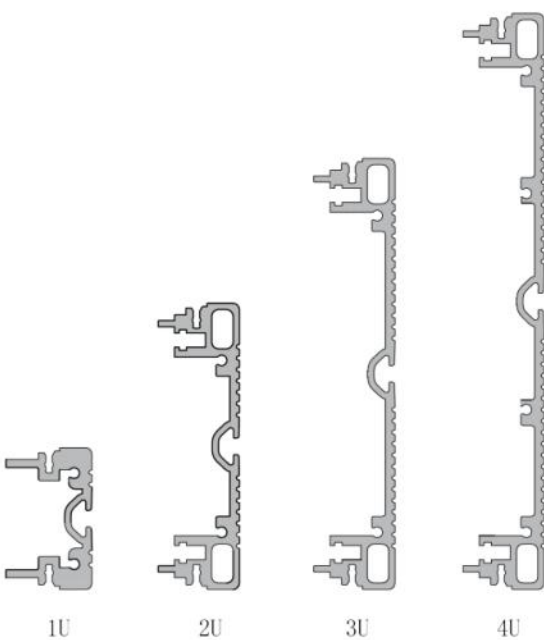
Application of 19 "CUR subracks

- 19"CUR series subracks uses cabinet nail components to install on the cabinet
- The 19" CUR series subracks can also be used with slide rails and installed on the cabinet to facilitate the subrack pullout
- The front and rear panels of the subracks can be screen printed and drilled

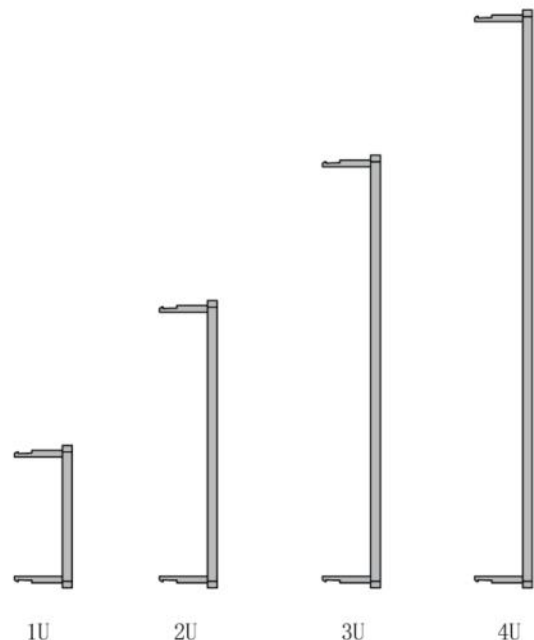
Cabinet mounting nail assembly



Side panel cross-sectional view



Cross section view of front and rear panels



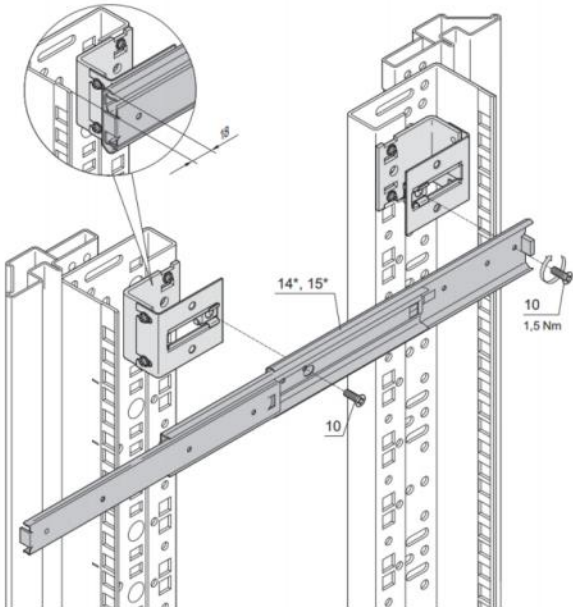
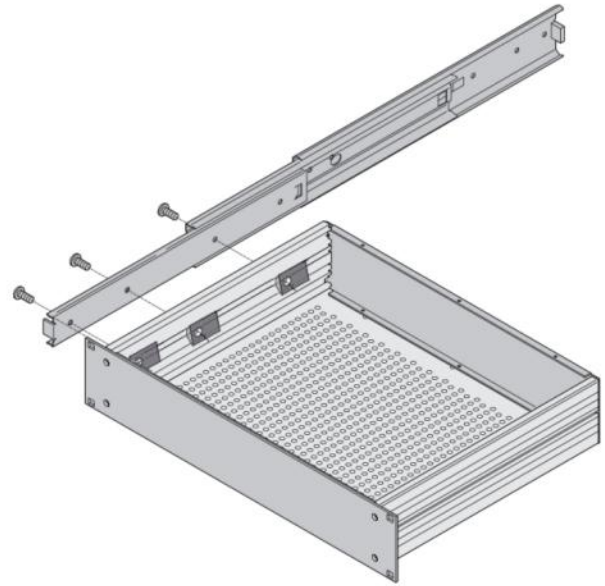
Order no. and page table	Panel component	Subracks Accessories	IN-S Series Subracks	Rugged Subracks Side panel	Type A Series Subracks	CASE Series Subracks	Protective Series Subracks	VERO Series Subracks	Shielded plug-in units Series Subracks	SNCF Series Subracks	19"CUR Series Subracks	Guide rail specification and accessories	Handle specification and accessories	BEK&BEG PRO Series Subracks	EK+&EG+ PRO Series Subracks	EM&EG PRO Series Subracks
--------------------------	-----------------	----------------------	----------------------	----------------------------	------------------------	----------------------	----------------------------	----------------------	--	----------------------	------------------------	--	--------------------------------------	-----------------------------	-----------------------------	---------------------------

19"CUR Series Subracks



19"CUR Subrack accessory

Telescopic slide rail installation diagram



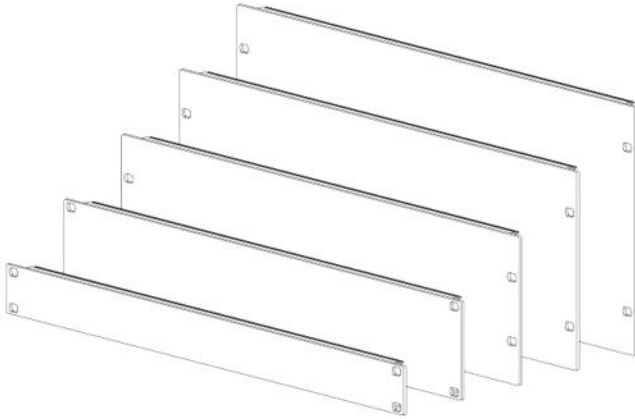
Order no. and page Table	Panel component	Subracks Accessories	IN-S Series Subracks	Rugged Subracks Side panel	Type A Series Subracks	CASE Series Subracks	Protective Series Subracks	VERO Series Subracks	Shielded plug-in units Series Subracks	SINCF Series Subracks	19"CUR Series Subracks	Guide rail specification and accessories	Handle specification and accessories	BEM&BEG PRO Series Subracks	EK+&EG+PRO Series Subracks	EK&EG PRO Series Subracks
--------------------------	-----------------	----------------------	----------------------	----------------------------	------------------------	----------------------	----------------------------	----------------------	--	-----------------------	------------------------	--	--------------------------------------	-----------------------------	----------------------------	---------------------------

19"CUR Series Subracks



19"CUR Subrack accessory

Profile front panel blind plate



- Aluminum profile EMC blind plate, front anodized
- Used in conjunction with conductive foam to make the contact surface between the blind plate conductive, thereby increasing the shielding effect
- Used in conjunction with M6 screws, it can also be installed in front of the cabinet and used as the front panel of the cabinet
- The unified standard for the surface of the EMC blind plate of the profile is anodizing, and customers can also customize spray molding, opening, and screen printing according to their needs

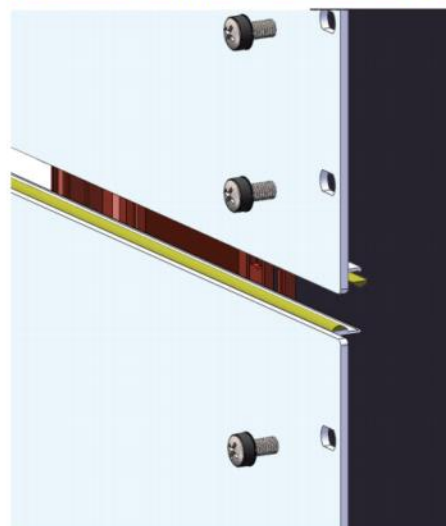
Delivery includes

Name	Qty	Model	Description
Profile blind plate	1	/	Profile panel, suitable for the front panel of the cabinet chassis
EMC textile gasket	2	Choice	Conductive cloth shielding strip, increasing shielding effect
Screw assembly	4	/	Install panel accessories

Order information

Height	H	D	Thick 3mm Anodized treatment Order no
U	mm	mm	
1U	43.6	31.7	02013000
2U	88.1	76.2	02023000
3U	132.5	57.1	02033000
4U	177.0	101.6	02043000
5U	221.4	146.0	02053000

Installation diagram of EMC textile gasket



EK&EG PRO Series Subracks
 EK+EG+PRO Series Subracks
 BE&BEG PRO Series Subracks
 Handle specification and accessories
 Guide rail specification and accessories
 19"CUR Series Subracks
 SNCF Series Subracks
 Shielded plug-in units Series Subracks
 VERO Series Subracks
 Protective Series Subracks
 CASE Series Subracks
 Type A Series Subracks
 Rugged Subracks Side panel
 IN-S Series Subracks
 Subracks Accessories
 Panel component
 Order no. and page Table

19"CUR Series Subracks



19"CUR chassis



19"CUR chassis Unshielded Protection

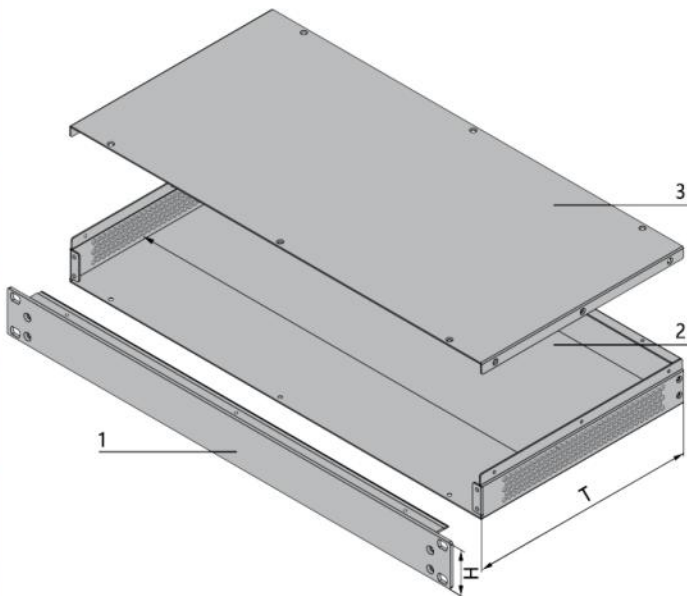
- Difference between 19" CUR chassis and 19" CUR subrack: Front panel is aluminum profile. The case is covered with aluminum zinc plate
- Rear panel of the case is detachable, easy to install
- Standard 19" power supply or ATX power supply can be installed
- 1U, 2U, 3U, 4U, 84TE, suitable for board depth 220mm, 280mm, 340mm

Delivery includes

Item	Name	Qty	Model
1	Front panel	1	/
2	Base body	1	/
3	Rear panel	1	/
4	Cover plate	1	/
5	Assembly kit	1	/

Order information

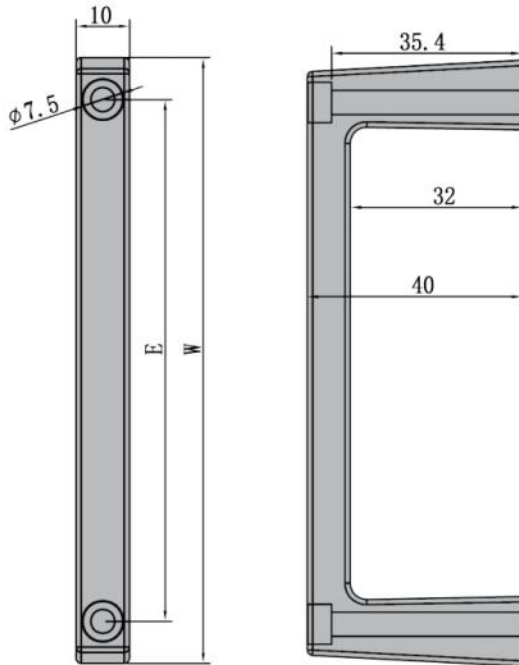
Height	Width	Depth	Model	Order no
1U	84TE	220	Perforated	9184-22011
1U	84TE	220	Without holes	9184-22001
1U	84TE	280	Perforated	9184-28011
1U	84TE	280	Without holes	9184-28001
1U	84TE	340	Perforated	9184-34011
1U	84TE	340	Without holes	9184-34001
2U	84TE	280	Perforated	9284-28011
2U	84TE	280	Without holes	9284-28001
2U	84TE	340	Perforated	9284-34011
2U	84TE	340	Without holes	9284-34001
3U	84TE	280	Perforated	9384-28011
3U	84TE	280	Without holes	9384-28001
3U	84TE	340	Perforated	9384-34011
3U	84TE	340	Without holes	9384-34001
4U	84TE	280	Perforated	9484-28011
4U	84TE	280	Without holes	9484-28001
4U	84TE	340	Perforated	9484-34011
4U	84TE	340	Without holes	9484-34001



19"CUR Series Subracks



19"CUR Subrack accessory



Hanlbe

- Installed on the chassis front flange or chassis side panel

Delivery includes

Ltem Name Description

- | | | |
|---|--------|---|
| 1 | Handle | Front handle, extruded aluminum, anodized |
|---|--------|---|

Order information

Height	W mm	E mm	Order no
1U	43	28	1030069
2U	71.01	52.8	1030070
3U	113	97.3	1030071
4U	157.45	141.8	1030072
5U	201.9	186.3	1030073

EK&EG PRO Series Subracks
 EK+MEG+ PRO Series Subracks
 BEK&BEG PRO Series Subracks
 Handle specification and accessories
 Guide rail specification and accessories
 19"CUR Series Subracks
 SNCF Series Subracks
 Shielded plug-in units Series Subracks
 VERO Series Subracks
 Protective Series Subracks
 CASE Series Subracks
 Type A Series Subracks
 Rugged Subracks Side panel
 IN-S Series Subracks
 Subracks Accessories
 Panel component
 Order no. and page Table