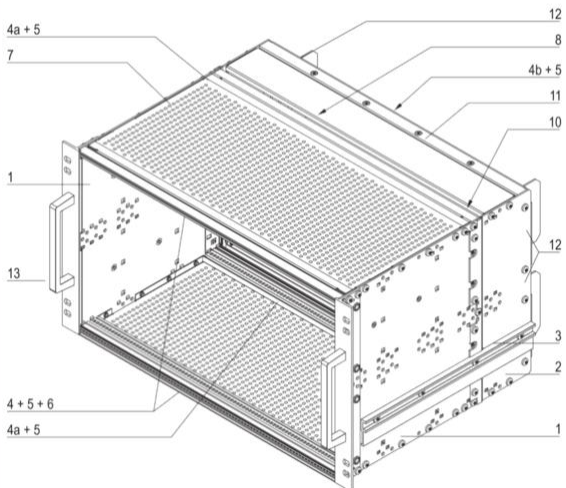
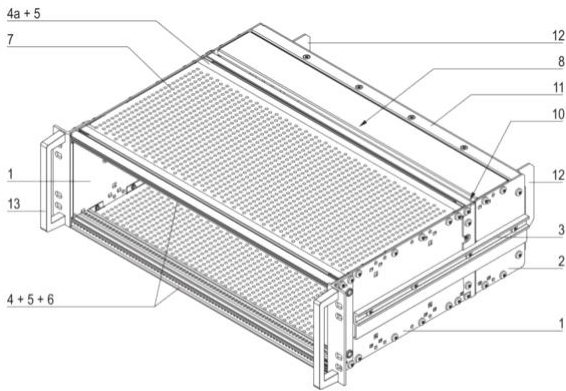


# SNCF Series Subracks



## SNCF Shielded Subracks



### SNCF Subracks, Shielding Protection

- Tested according to NF F61-005 and NF F60-002 standards
- 3U, 6U, 21T, 320mm deep, for board depth 220mm
- 1T=4HP

#### Delivery Comprises(kit)

Item	3U Qty	6U Qty	Description
1	2	2	Side panel, 19" support bracket
2	2	2	Side panel extension
3	2	2	External guide rail
4	2	2	Front rails
4a	2	2	Rear rails
4b	-	1	Middle rails
5	4	6	Threaded insert
6	2	2	Perforated strip
7	2	2	EMC Cover plate
8	2	2	EMC Rear cover plate
9	1	1	EMC kit for gasketing
10	1	2	Backplane shielding kit
11	1	2	Rear frame
12	2	4	Protective bracket
13	2	2	Handles
14	1	1	Assembly part kit with self-locking screws

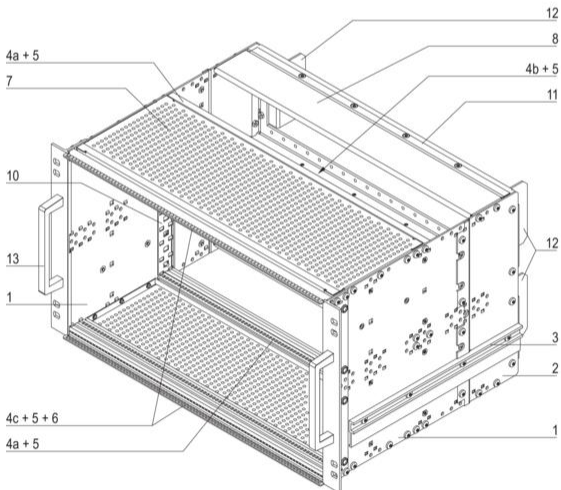
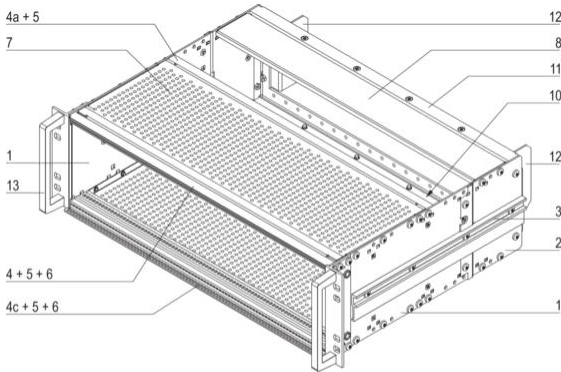
#### Order information

Height	Width	Depth	Order no
3U	84HP	320	83843201
6U	84HP	320	86843201

# SNCF Series Subracks



## SNCF CPCI Shielded Subracks



### SNCF Subracks, CPCI Shielded Protection

- Tested according to NF F61-005 and NF F60-002 standards
- 3U, 6U, 21T, 320mm deep, for board depth 160mm
- Subracks compliant with IEEE 1101.10 standard for Compact PCI systems

#### Delivery Comprises(kit)

Item	3U Qty	6U Qty	Description
1	2	2	Side panel, 19" support bracket
2	2	2	Side panel extension
3	2	2	External guide rail
4	1	-	Front rails
4a	2	2	Rear rails
4b	-	1	Middle rails
4c	1	2	Front horizontal Rail
5	4	6	Threaded insert
6	2	2	Perforated strip
7	2	2	EMC Cover plate
8	2	2	EMC Rear cover plate
9	1	1	EMC kit for gasketing
10	1	2	Backplane shielding kit
11	1	2	Rear frame
12	2	4	Protective bracket
13	2	2	Handles
14	1	1	Assembly part kit with self-locking screws

#### Order information

H Height	HP Width	Depth mm	Order no
3U	84HP	320	83843202
6U	84HP	320	86843202

#### Subracks mounting accessories (optional)

Item	Description	Order no
1	ESD clips for guide rails	1010003
2	ESD clips for alignment pin of the CompactPCI/VME64X handles	1010001
3	Pan head screw with Torx M2.5X10	1004014
4	CompactPCI/VME64x System Board Guide rail, Comply with IEEE1101.10/11 standard, The slot is 2mm wide, and can be installed with microswitch and anti misplug coding key. It is used to install the card with 160mm depth, red	1001020
5	CompactPCI/VME64x System Board Guide rail, Comply with IEEE1101.10/11 standard, The slot is 2mm wide, and can be installed with microswitch and anti misplug coding key. It is used to install the card with 160mm depth, Grey	1001118
6	CompactPCI/VME64x System Board Guide rail, Comply with IEEE1101.10/11 standard, The slot is 2mm wide, and can be installed with microswitch and anti misplug coding key. It is used to install the card with 162mm depth, Green	1001117



# SNCF Series Subracks



## SNCF Unshielded Subracks



### SNCF Subracks, Unshielded protect

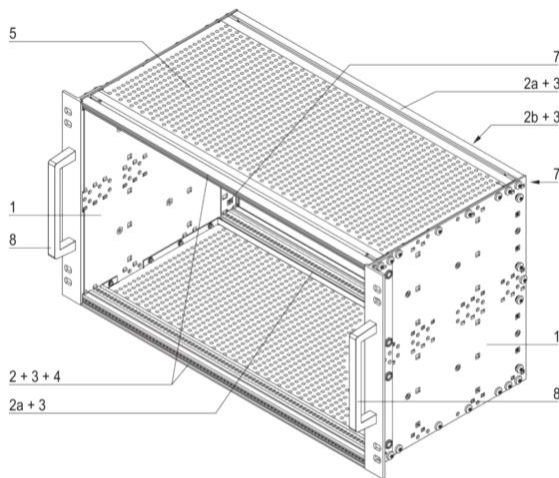
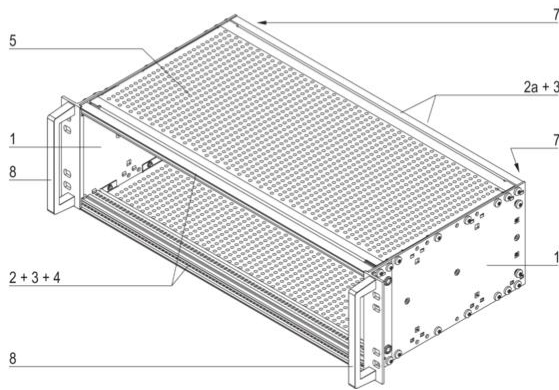
- Tested according to EN 50155 standard
- 3U, 6U, 84HP, 235mm deep, for board depth 220mm

#### Delivery Comprises(kit)

Item	3U Qty	6U Qty	Description
1	2	2	Side panel, 19" support bracket
2	2	2	Front rails
2a	2	2	Rear rails
2b	-	1	Middle rails
3	4	6	Threaded insert
4	2	2	Perforated strip
5	2	2	Cover plate
6	1	1	Shielding tape
7	1	2	Shielding tape, Shielding protection for backplane
8	2	2	Handles
9	1	1	Assembly part kit with self-locking screws

#### Order information

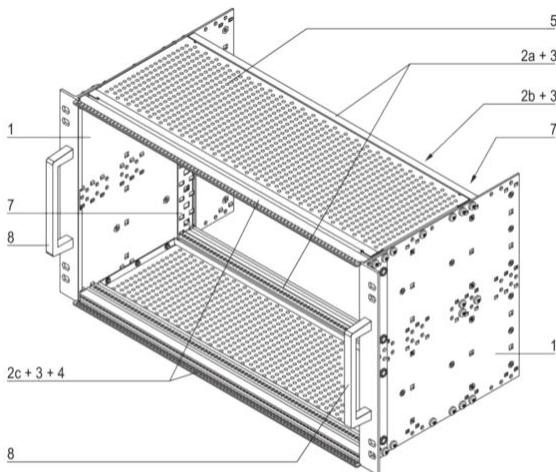
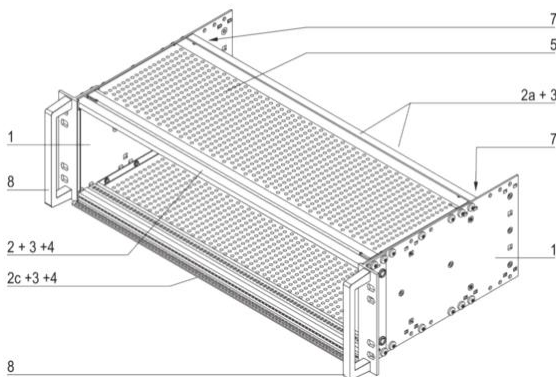
Height	Width	Depth mm	Order no
3U	84HP	235	83842353
6U	84HP	235	86842353



# SNCF Series Subracks



## SNCF EMC Shielded Subracks



### SNCF Subracks, EMC Shielded Protection

- Tested according to NF F61-005 and NF F60-002 standards
- 3U, 6U, 84HP, 235mm deep, for board depth 160mm
- Subracks compliant with IEEE 1101.10 standard for CompactCPI systems

#### Delivery Comprises(kit)

Item	3U Qty	6U Qty	Description
1	2	2	Side panel, 19" support bracket
2	1	-	Front rails
2a	2	2	Rear rails
2b	-	1	Middle rails
2c	1	2	Front rails
3	4	6	Threaded insert
4	2	2	Perforated strip
5	2	2	Cover plate
6	1	1	Shielding tape
7	1	2	Shielding tape, Shielding protection for backplane
8	2	2	Handles
9	1	1	Assembly part kit with self-locking screws

#### Order information

H Height	HP Width	Depthmm	Order no
3U	84HP	320	83842354
6U	84HP	320	86842354

EK&BEG PRO Series Subracks

EK&BEG+ PRO Series Subracks

BEK&BEG PRO Series Subracks

Handle specification and accessories

Guide rail specification and accessories

19"CUR Series Subracks

SNCF Series Subracks

Shielded plug-in units Series Subracks

VERO Series Subracks

Protective Series Subracks

CASE Series Subracks

Type A Series Subracks

Rugged Subracks Side panel

IN-S Series Subracks

Subracks Accessories

Panel component

Order no. and page Table