



Standards/certifications

Inner and outer dimensions meet: IEC 60297-3-101, IEC 60297-3-102, IEC 60297-3-103, IEEE 1101.1 and IEEE 1101.10/11
Type of protection IP20 in accordance with IEC 60529

EMC testing to IEC 61587-3

Shock and vibration test reports: German "Bahn" standards BN 411002, BN 411003; NF F 60002, NF F 67012
IEC 61587-2, EN 50155, part 12.2.11

Customized service

Customize the side panel of the Subracks

Panel and panel opening, screen printing

EK+&EG+ PRO Series Subracks introduction

EK+&EG+ PRO series Subracks is a series of Subracks products developed by **RDEKON** for the application of the 19" standard Subracks. After years of practical application shows that the EK+&EG+ PRO series Subracks has stable performance, solid structure and meets all the requirements of the 19" standard size and application. At the same time, the EK+&EG+ PRO series Subracks has the characteristics of high cost performance, rich components, flexible configuration and so on, which can meet the use requirements to the greatest extent

EK+&EG+ PRO Series Subracks introduction

EK+&EG+ PRO series Subracks is widely used in all kinds of standard electronic equipment and user-defined electronic systems, can be used to build CompactPCI, VME, VME64, PXI and other systems, can also be used as a general electronic plug-in box

RDEKON PRO 3/6U Subrack(Railway Applications)

- Unshielded and shielded versions NFF61005/60002
- Unshielded and shielded versions EN50155 subrack
- Shielded versions for CompactPCI applications



19 "Subrack Subracks

- Shock and vibration resistant to IEC 61587-2, EN 50155, NFF 67012/NF F 60002, German railway standards BN 411002/411003
- IEC 60297-3-101, IEC 60297-3-102, IEC 60297-3-103, IEEE 1101.1 and IEEE 1101.10/11 compatible
- Designed for extractor handles to IEEE 1101.10/11 and IEC 60297-3-103 for CompactPCI and VME 64x application
- EMC shielding easily retrofittable if needed

RDEKON PRO 3/6U Subrack(Kits)

- Unshielded and shielded versions
- Shielded versions for CompactPCI applications

EK&EG PRO Series Subracks Features

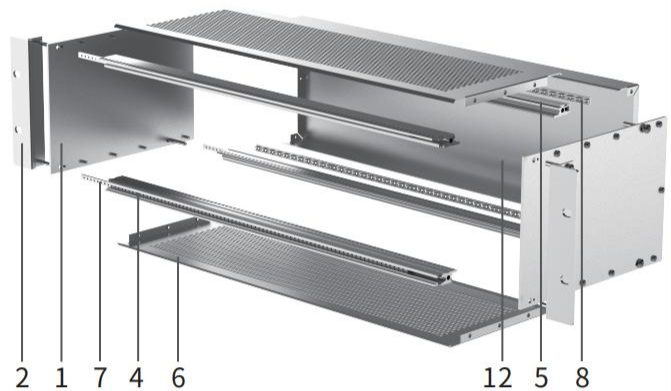
- **RDEKON** 19" Subrack subrack, manufactured by advanced technology
- EK+&EG+ PRO series products meet the 19" standard, easy to assemble (Refer to the company's 19" standard summary manual for details). Fully reflected the standardization, module The characteristics and advantages of chemical and serialization
- All series of products adopt universal standard parts combination, reflecting a high degree of flexibility, customers can according to the specific needs of the general standard parts or customized product vibration, impact test standards: according to IEC61587-1, NE50155, BN411002, NF F67012, NF F67002 test
- Complies with IEEE 1101.1 standard
- Can be used to build CompactPCI.VME, VME64 system platform
- The Subracks have good electromagnetic shielding performance

EK+ PRO Economy Series Subracks



3U/4U

- Subrack Shielding case (CompactPCI) · Light beam, Can better reduce the weight, bearing performance unchanged
- Suitable for CompactPCI and VME64x insertion and extractor handles
- Rear horizontal rail for backplane mounting with insulation strip; For applications that install backplanes or connectors, Horizontal rails, rear, for connector mounting (IEC 60603-2 / DIN 41612)
- Typical shielding 40dB at 1 GHz, 30 dB at 2GHz (as to VG 95373 ,part15), on condition that the front is sealed with shielded front panels
- For real I/O application



Delivery Comprises (kit)

Item	Name	Qty	Model
1	Side panel	2	/
2	Front bracket	2	/
3	Handle	2	choice
4	Front rails	2	/
5	Rear rails	2	/
6	Cover plate	2	/

Item	Name	Qty	Model
7	Threaded insert	4	/
8	Insulation strip	8	/
9	EMC gasket (Front rails)	2	Choice
10	EMC gasket (Front bracket)	3	Choice
11	Bent back panel	1	/

Order information

Height	Width	Depth	Model	Order no
3U	42TE	245	Perforated	3342-2451
3U	42TE	245	Without holes	3342-2450
3U	42TE	285	Perforated	3342-2851
3U	42TE	285	Without holes	3342-2850
3U	42TE	345	Perforated	3342-3451
3U	42TE	345	Without holes	3342-3450
3U	63TE	245	Perforated	3363-2451
3U	63TE	245	Without holes	3363-2450
3U	63TE	285	Perforated	3363-2851
3U	63TE	285	Without holes	3363-2850
3U	63TE	345	Perforated	3363-3451
3U	63TE	345	Without holes	3363-3450
3U	84TE	245	Perforated	3384-2451
3U	84TE	245	Without holes	3384-2450
3U	84TE	285	Perforated	3384-2851
3U	84TE	285	Without holes	3384-2850
3U	84TE	345	Perforated	3384-3451
3U	84TE	345	Without holes	3384-3450

Height	Width	Depth	Model	Material No
4U	42TE	245	Perforated	3442-2451
4U	42TE	245	Without holes	3442-2450
4U	42TE	285	Perforated	3442-2851
4U	42TE	285	Without holes	3442-2850
4U	42TE	345	Perforated	3442-3451
4U	42TE	345	Without holes	3442-3450
4U	63TE	245	Perforated	3463-2451
4U	63TE	245	Without holes	3463-2450
4U	63TE	285	Perforated	3463-2851
4U	63TE	285	Without holes	3463-2850
4U	63TE	345	Perforated	3463-3451
4U	63TE	345	Without holes	3463-3450
4U	84TE	245	Perforated	3484-2451
4U	84TE	245	Without holes	3484-2450
4U	84TE	285	Perforated	3484-2851
4U	84TE	285	Without holes	3484-2850
4U	84TE	345	Perforated	3484-3451
4U	84TE	345	Without holes	3484-3450

EK&EG PRO Series Subracks
 EK+&EG+ PRO Series Subracks
 BEK&BEG PRO Series Subracks
 Handle specification and accessories
 Guide rail specification and accessories
 19" CUR Series Subracks
 SNCF Series Subracks
 Shielded plug-in units Series Subracks
 VERO Series Subracks
 Protective Series Subracks
 CASE Series Subracks
 Type A Series Subracks
 Rugged Subracks Side panel
 IN-S Series Subracks
 Subracks Accessories
 Panel component
 Order no. and page Table

EK+ PRO Economy Series Subracks

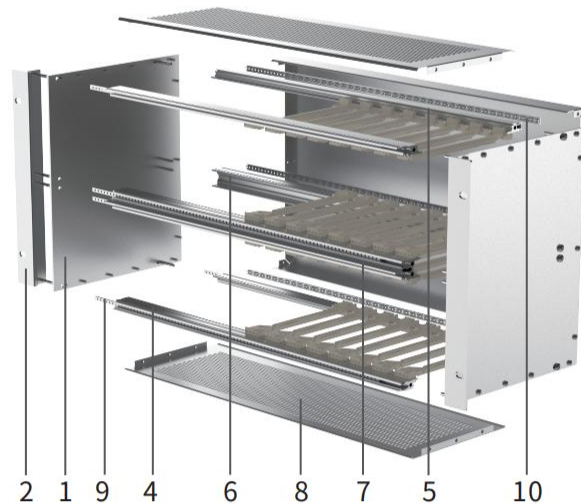


6U

- Subrack Shielding case (CompactPCI) · Light beam, Can better reduce the weight, bearing performance unchanged
- Suitable for CompactPCI and VME64x insertion and extractor handles
- Rear horizontal rail for backplane mounting with insulation strip; For applications that install backplanes or connectors, Horizontal rails, rear, for connector mounting (IEC 60603-2 / DIN 41612)
- Typical shielding 40dB at 1 GHz, 30 dB at 2GHz (as to VG 95373 ,part15), on condition that the front is sealed with shielded front panels
- For real I/O application

Delivery Comprises(kit)

Item	Name	Qty	Model
1	Side panel	2	/
2	Front bracket	2	/
3	Handle	2	Choice
4	Front rails	2	/
5	Rear rails	2	/
6	Rear Light Type Rail	1	/
7	Long Lip	1	/



Item	Name	Qty	Model
8	Cover plate	2	/
9	Threaded insert	6	/
10	Insulation strip	16	/
11	EMC gasket (Front rails)	2	Choice
12	EMC gasket (Front bracket)	1	Choice

Order information

Height	Width	Depth	Model	Material No
6U	42TE	245	Perforated	3642-2451
6U	42TE	245	Without holes	3642-2450
6U	42TE	285	Perforated	3642-2851
6U	42TE	285	Without holes	3642-2850
6U	42TE	345	Perforated	3642-3451
6U	42TE	345	Without holes	3642-3450
6U	63TE	245	Perforated	3663-2451
6U	63TE	245	Without holes	3663-2450
6U	63TE	285	Perforated	3663-2851
6U	63TE	285	Without holes	3663-2850
6U	63TE	345	Perforated	3663-3451
6U	63TE	345	Without holes	3663-3450
6U	84TE	245	Perforated	3684-2451
6U	84TE	245	Without holes	3684-2450
6U	84TE	285	Perforated	3684-2851
6U	84TE	285	Without holes	3684-2850
6U	84TE	345	Perforated	3684-3451
6U	84TE	345	Without holes	3684-3450

EG+ PRO Rugged Series Subracks

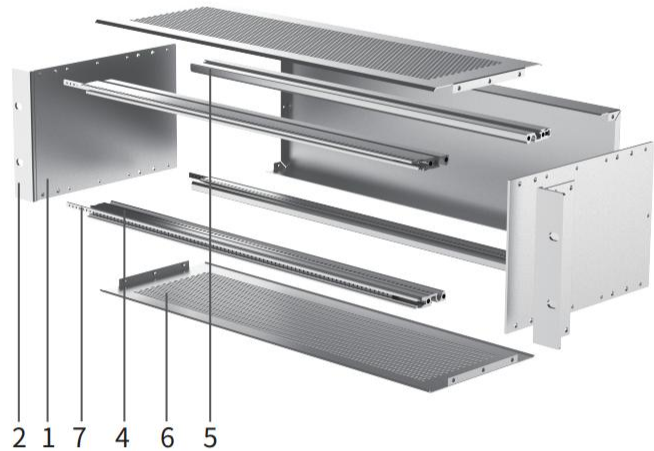


3U/4U

- Subrack Shielding case (CompactPCI) · Heavy beam, Provide better load-bearing performance
- Suitable for CompactPCI and VME64x insertion and extractor handles
- Rear horizontal rail for backplane mounting with insulation strip; For applications that install backplanes or connectors, Horizontal rails, rear, for connector mounting (IEC 60603-2 / DIN 41612)
- Typical shielding 40dB at 1 GHz, 30 dB at 2GHz (as to VG 95373 ,part15), on condition that the front is sealed with shielded front panels
- For real I/O application

Delivery Comprises(kit)

Item	Name	Qty	Model
1	Side panel	2	/
2	Front bracket	2	/
3	Handle	2	Choice
4	Front rails	2	/
5	Rear rails	2	/



Item	Name	Qty	Model
6	Cover plate	2	/
7	Threaded insert	4	/
8	Insulation strip	8	/
9	EMC gasket (Front rails)	2	Choice
10	EMC gasket (Front bracket)	1	Choice

Order information

Height	Width	Depth	Model	Order no
3U	42TE	245	Perforated	4342-2451
3U	42TE	245	Without holes	4342-2450
3U	42TE	285	Perforated	4342-2851
3U	42TE	285	Without holes	4342-2850
3U	42TE	345	Perforated	4342-3451
3U	42TE	345	Without holes	4342-3450
3U	63TE	245	Perforated	4363-2451
3U	63TE	245	Without holes	4363-2450
3U	63TE	285	Perforated	4363-2851
3U	63TE	285	Without holes	4363-2850
3U	63TE	345	Perforated	4363-3451
3U	63TE	345	Without holes	4363-3450
3U	84TE	245	Perforated	4384-2451
3U	84TE	245	Without holes	4384-2450
3U	84TE	285	Perforated	4384-2851
3U	84TE	285	Without holes	4384-2850
3U	84TE	345	Perforated	4384-3451
3U	84TE	345	Without holes	4384-3450

Height	Width	Depth	Model	Material No
4U	42TE	245	Perforated	4442-2451
4U	42TE	245	Without holes	4442-2450
4U	42TE	285	Perforated	4442-2851
4U	42TE	285	Without holes	4442-2850
4U	42TE	345	Perforated	4442-3451
4U	42TE	345	Without holes	4442-3450
4U	63TE	245	Perforated	4463-2451
4U	63TE	245	Without holes	4463-2450
4U	63TE	285	Perforated	4463-2851
4U	63TE	285	Without holes	4463-2850
4U	63TE	345	Perforated	4463-3451
4U	63TE	345	Without holes	4463-3450
4U	84TE	245	Perforated	4484-2451
4U	84TE	245	Without holes	4484-2450
4U	84TE	285	Perforated	4484-2851
4U	84TE	285	Without holes	4484-2850
4U	84TE	345	Perforated	4484-3451
4U	84TE	345	Without holes	4484-3450

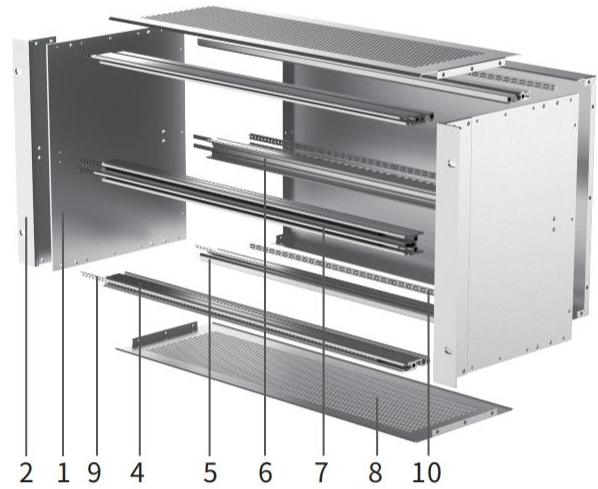
EK&EG PRO Series Subracks
 EK+EG+ PRO Series Subracks
 BEK&BEG PRO Series Subracks
 Handle specification and accessories
 Guide rail specification and accessories
 19"CUR Series Subracks
 SNCF Series Subracks
 Shielded plug-in units Series Subracks
 VERO Series Subracks
 Protective Series Subracks
 CASE Series Subracks
 Type A Series Subracks
 Rugged Subracks Side panel
 IN-S Series Subracks
 Subracks Accessories
 Panel component
 Order no. and page Table

EG+ PRO Rugged Series Subracks



6U

- Subrack Shielding case (CompactPCI) · Heavy beam, Provide better load-bearing performance
- Suitable for CompactPCI and VME64x insertion and extractor handles
- Rear horizontal rail for backplane mounting with insulation strip; For applications that install backplanes or connectors, Horizontal rails, rear, for connector mounting (IEC 60603-2 / DIN 41612)
- Typical shielding 40dB at 1 GHz, 30 dB at 2GHz (as to VG 95373 ,part15), on condition that the front is sealed with shielded front panels
- For real I/O application



Delivery Comprises(kit)

Item	Name	Qty	Model
1	Side panel	2	/
2	Front bracket	2	/
3	Handle	2	Choice
4	Front rails	2	/
5	Rear rails	2	/
6	Rear Light Type Rail	1	/

Item	Name	Qty	Model
7	Long Lip	1	/
8	Cover plate	2	/
9	Threaded insert	8	/
10	Insulation strip	16	/
11	EMC gasket (Front rails)	2	Choice
12	EMC gasket (Front bracket)	1	Choice

Order information

Height	Width	Depth	Model	Material No
6U	42TE	245	Perforated	4642-2451
6U	42TE	245	Without holes	4642-2450
6U	42TE	285	Perforated	4642-2851
6U	42TE	285	Without holes	4642-2850
6U	42TE	345	Perforated	4642-3451
6U	42TE	345	Without holes	4642-3450
6U	63TE	245	Perforated	4663-2451
6U	63TE	245	Without holes	4663-2450
6U	63TE	285	Perforated	4663-2851
6U	63TE	285	Without holes	4663-2850
6U	63TE	345	Perforated	4663-3451
6U	63TE	345	Without holes	4663-3450
6U	84TE	245	Perforated	4684-2451
6U	84TE	245	Without holes	4684-2450
6U	84TE	285	Perforated	4684-2851
6U	84TE	285	Without holes	4684-2850
6U	84TE	345	Perforated	4684-3451
6U	84TE	345	Without holes	4684-3450

EK+&EG+ PRO Series Subracks Front horizontal Rail



Front horizontal Rail

Order information



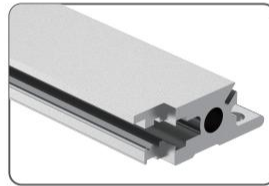
Heavy Type-EG+ Short Lip

Used for mounting PCB guide rail and fixing panel



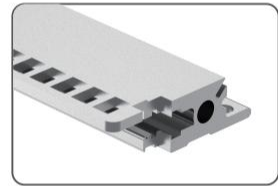
EG+ Heavy Type Long Lip

Use in conjunction with Handle



Light Type EK+ Short Lip

Used for mounting PCB guide rail and fixing panel, suitable for EK box (economical structure)

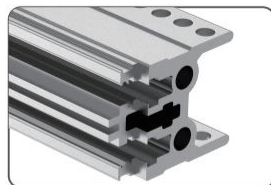


Long Lip EK+

Use in conjunction with Handle

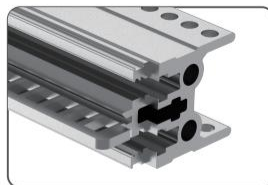
Model	Order no	Order no	Order no	Order no
42TE	0100017	0140016	0110025	0140019
63TE	0100024	0140025	0110046	0140026
84TE	0100018	0140017	0110032	0140020
104TE	0100019	0140018	0110033	0140021

Cross Rails setting screw M4×12 1004057



Front Light Type Rail EK+

Used for mounting PCB guide rail and fixing panel



Long Lip EK+

Used for mounting PCB guide rail and fixing panel, Use in conjunction with Handle

Model	Order no	Order no
42TE	0110034	0140022
63TE	0110047	0140027
84TE	0110035	0140023
104TE	0110036	0140024

Cross Rails setting screw M4×12 1004057

EK&EG+ PRO Series Subracks
EK+&EG+ PRO Series Subracks
BEK&BEG PRO Series Subracks
Handle specification and accessories
Guide-rail specification and accessories
19"CUR Series Subracks
SNCF Series Subracks
Shielded plug-in units Series Subracks
VERO Series Subracks
Protective Series Subracks
CASE Series Subracks
Type A Series Subracks
Rugged Subracks Side panel
IN-S Series Subracks
Subracks Accessories
Panel component
Order no. and page Table

EK+&EG+ PRO Series Subracks

Rear horizontal Rail



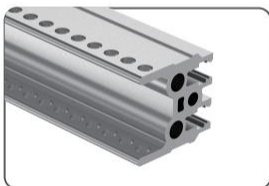
Rear horizontal Rail

Order information



Heavy Type EG+

Use for install backplane



Rear Light Type Rail EK+

Use for install backplane



LigeType-T EK+

Use for install backplane



LigeType EK+

Use for install backplane

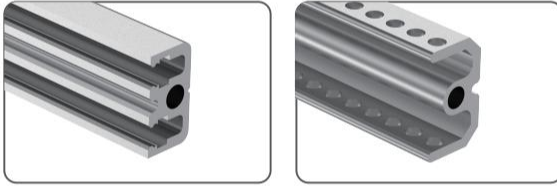
Model	Order no	Order no	Order no	Order no
42TE	0100020	0110028	0110037	0110040
63TE	0100025	0110050	0110049	0110048
84TE	0100021	0110029	0110038	0110041
104TE	0100022	0110030	0110039	0110042

EK+&EG+ PRO Series Subracks Middle rails



Middle Rail

Order information



Light Type-EK+ Middle Rail

For indirect mounting of backplanes via insulating strip, order insulating strip separately

Light Type-EK+ transfer Middle Rail

Installing a midplane, Use cooperatively middle rail

Model	Order no	Order no
42TE	0150019	0150022
63TE	0150025	0150026
84TE	0150020	0150023
104TE	0150021	0150024

EK&EG PRO Series Subracks

EK+EG+ PRO Series Subracks

BEK&BEG PRO Series Subracks

Handle specification and accessories

Guide rail specification and accessories

19"CUR Series Subracks

SNCF Series Subracks

Shielded plug-in units Series Subracks

VERO Series Subracks

Protective Series Subracks

CASE Series Subracks

Type A Series Subracks

Rugged Subracks Side panel

IN-S Series Subracks

Subracks Accessories

Panel component

Order no. and page Table

EK+&EG+ PRO Series Subracks Bracket



Bracket

Order information



Front bracket-EG+



Rear bracket-EG+



Front bracket-EK+



Rear bracketEK+

Model	Order no	Order no	Order no	Order no
3U	0200008	0200011	0210008	0210011
4U	0200009	0200012	0210009	0210012
6U	0200010	0200013	0210010	0210013