

# Shielded plug-in units Series Subracks



## Physically protected Shielded plug-in units



### 3U Physically protected Shielded plug-in units

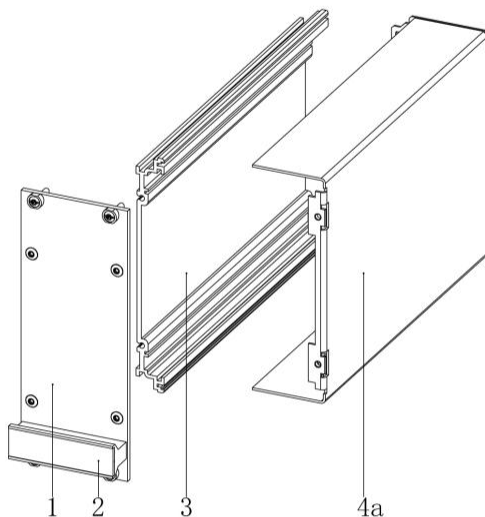
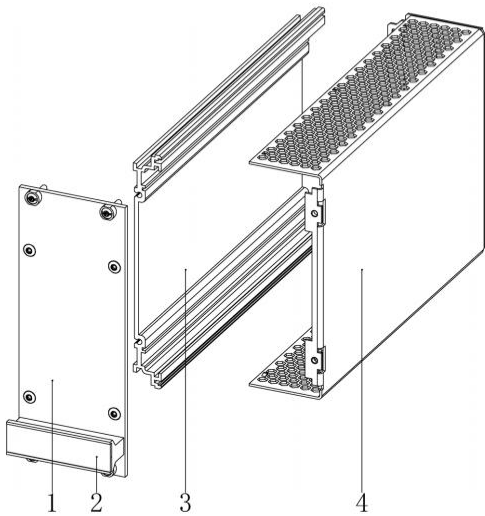
- For circuit board protection against physical damage and mechanical damage
- Front panel is shielded or unshielded
- Suitable for Subrack cases and instrument cases
- Use PCB board size: 100x160 or 100x220
- When using this Shielded plug-in units, the type of connector should comply with EN 60603 (DIN 41612), types: B, C, D, F, H, R standard
- The height of the components on the PCB is <8.5mm when the 5HP module box is selected

#### Delivery includes

Item	Qty	Description
1	1	Shielded: front panel with slots for contact strips
2	1	Handle, aluminum
3	1	Side panel, aluminum
4	1	Cover plate, aluminum, 1mm, Perforated
4a	1	Cover plate, aluminum, 1mm, Without holes
5	1	Assembly part kit with self-locking screws

#### Order information

Width A HP	Description	Model	Order no (Depth 167mm)	Order no (Depth 227mm)
5	Shielded	Perforated	30516711	30522711
5	Shielded	Without holes	30516701	30522701
6	Shielded	Perforated	30616711	30622711
6	Shielded	Without holes	30616701	30622701
7	Shielded	Perforated	30716711	30722711
7	Shielded	Without holes	30716701	30722701
8	Shielded	Perforated	30816711	30822711
8	Shielded	Without holes	30816701	30822701
10	Shielded	Perforated	31016711	31022711
10	Shielded	Without holes	31016701	31022701
12	Shielded	Perforated	31216711	31222711
12	Shielded	Without holes	31216701	31222701
14	Shielded	Perforated	31416711	31422711
14	Shielded	Without holes	31416701	31422701
21	Shielded	Perforated	32116711	32122711
21	Shielded	Without holes	32116701	32122701
28	Shielded	Perforated	32816711	32822711
28	Shielded	Without holes	32816701	32822701
42	Shielded	Perforated	34216711	34222711
42	Shielded	Without holes	34216701	34222701

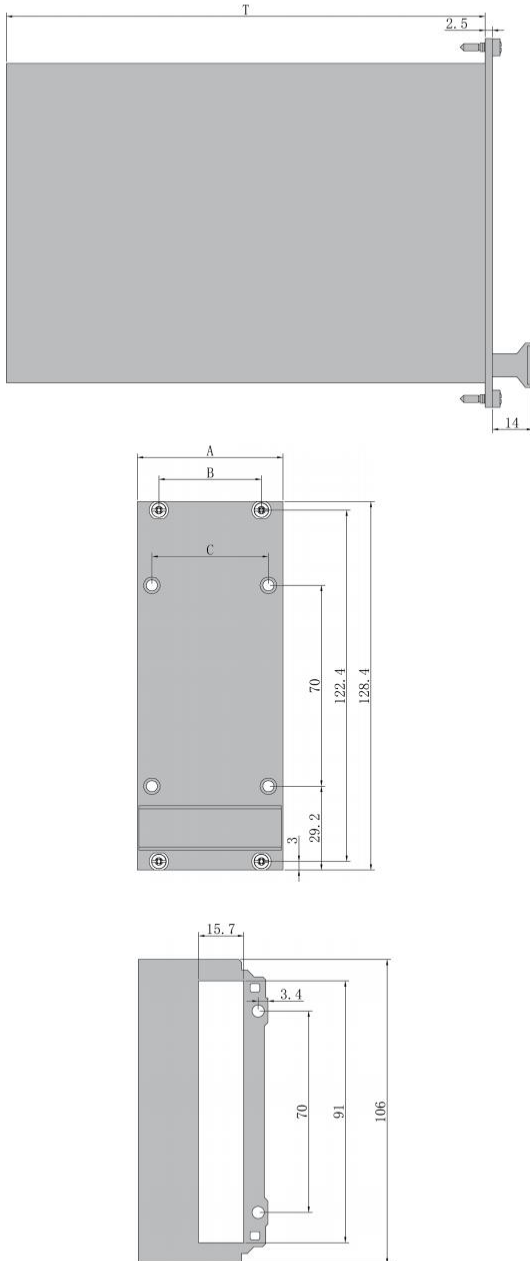


# Shielded plug-in units Series Subracks



## Physically protected Shielded plug-in units

### Cut-Size



### Order information

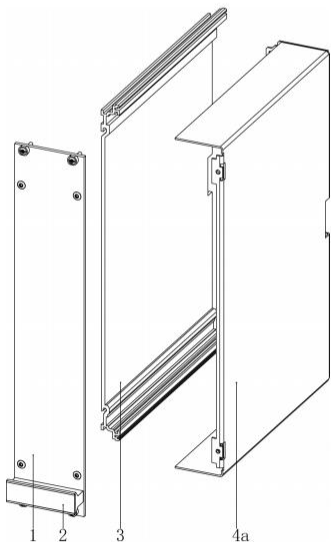
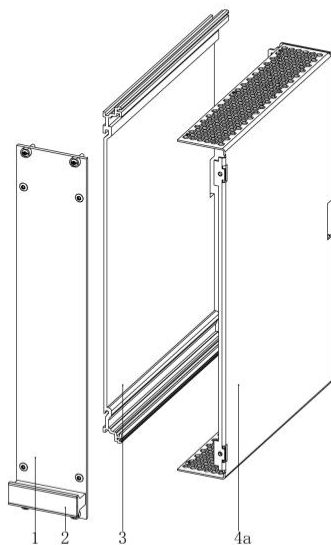
Width A HP	Description	Model	Order no	Order no
			T (Depth167mm)	T (Depth227mm)
5	Unshielded	Perforated	30516710	30522710
5	Unshielded	Without holes	30516700	30522700
6	Unshielded	Perforated	30616710	30622710
6	Unshielded	Without holes	30616700	30622700
7	Unshielded	Perforated	30716710	30722710
7	Unshielded	Without holes	30716700	30722700
8	Unshielded	Perforated	30816710	30822710
8	Unshielded	Without holes	30816700	30822700
10	Unshielded	Perforated	31016710	31022710
10	Unshielded	Without holes	31016700	31022700
12	Unshielded	Perforated	31216710	31222710
12	Unshielded	Without holes	31216700	31222700
14	Unshielded	Perforated	31416710	31422710
14	Unshielded	Without holes	31416700	31422700
21	Unshielded	Perforated	32116710	32122710
21	Unshielded	Without holes	32116700	32122700
28	Unshielded	Perforated	32816710	32822710
28	Unshielded	Without holes	32816700	32822700
42	Unshielded	Perforated	34216710	34222710
42	Unshielded	Without holes	34216700	34222700

EK&EG PRO Series Subracks
EK&EG+PRO Series Subracks
BEK&BEG PRO Series Subracks
Handle specification and accessories
Guide rail specification and accessories
19" CUR Series Subracks
SNCF Series Subracks
Shielded plug-in units Series Subracks
VERO Series Subracks
Protective Series Subracks
CASE Series Subracks
Type A Series Subracks
Rugged Subracks Side panel
IN-S Series Subracks
Subracks Accessories
Panel component
Order no. and page Table

# Shielded plug-in units Series Subracks



## Physically protected Shielded plug-in units



### 6U Physically protected Shielded plug-in units

- For circuit board protection against physical damage and mechanical damage
- Front panel is shielded or unshielded
- Suitable for Subrack cases and instrument cases
- Use PCB board size: 100x160 or 100x220
- When using this Shielded plug-in units, the type of connector should comply with EN 60603 (DIN 41612), types:B,C,D,F,H,R standard
- The height of the components on the PCB is <8.5mm when the 5HP module box is selected

#### Delivery includes

Item	Qty	Description
1	1	Shielded: front panel with slots for contact strips
2	1	Handle, aluminum
3	1	Side panel, aluminum
4	1	Cover plate, aluminum, 1mm, Perforated
4a	1	Cover plate panel, aluminum, 1mm, Without holes
5	1	Assembly part kit with self-locking screws

#### Order information

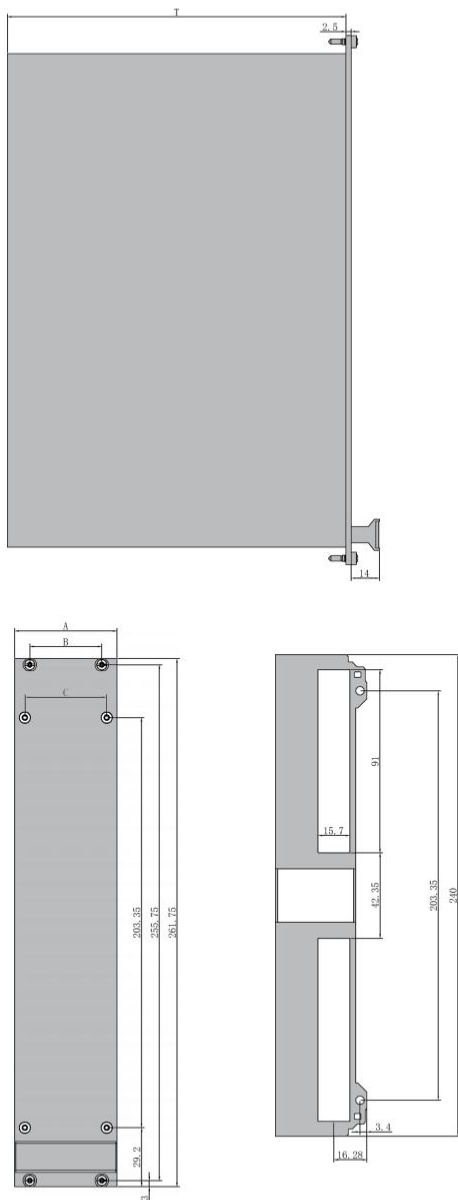
Width A HP	Description	Model	Order no (Depth167mm)	Order no (Depth227mm)
5	Shielded	Perforated	60516711	60522711
5	Shielded	Without holes	60516701	60522701
6	Shielded	Perforated	60616711	60622711
6	Shielded	Without holes	60616701	60622701
7	Shielded	Perforated	60716711	60722711
7	Shielded	Without holes	60716701	60722701
8	Shielded	Perforated	60816711	60822711
8	Shielded	Without holes	60816701	60822701
10	Shielded	Perforated	61016711	61022711
10	Shielded	Without holes	61016701	61022701
12	Shielded	Perforated	61216711	61222711
12	Shielded	Without holes	61216701	61222701
14	Shielded	Perforated	61416711	61422711
14	Shielded	Without holes	61416701	61422701
21	Shielded	Perforated	62116711	62122711
21	Shielded	Without holes	62116701	62122701
28	Shielded	Perforated	62816711	62822711
28	Shielded	Without holes	62816701	62822701
42	Shielded	Perforated	64216711	64222711
42	Shielded	Without holes	64216701	64222701

# Shielded plug-in units Series Subracks



## Physically protected Shielded plug-in units

### Cut-Size



### Order information

Width A HP	Description	Model	Order no T (Depth167mm)	Order no T (Depth227mm)
5	Unshielded	Perforated	60516710	60522710
5	Unshielded	Without holes	60516700	60522700
6	Unshielded	Perforated	60616710	60622710
6	Unshielded	Without holes	60616700	60622700
7	Unshielded	Perforated	60716710	60722710
7	Unshielded	Without holes	60716700	60722700
8	Unshielded	Perforated	60816710	60822710
8	Unshielded	Without holes	60816700	60822700
10	Unshielded	Perforated	61016710	61022710
10	Unshielded	Without holes	61016700	61022700
12	Unshielded	Perforated	61216710	61222710
12	Unshielded	Without holes	61216700	61222700
14	Unshielded	Perforated	61416710	61422710
14	Unshielded	Without holes	61416700	61422700
21	Unshielded	Perforated	62116710	62122710
21	Unshielded	Without holes	62116700	62122700
28	Unshielded	Perforated	62816710	62822710
28	Unshielded	Without holes	62816700	62822700
42	Unshielded	Perforated	64216710	64222710
42	Unshielded	Without holes	64216700	64222700

EK&EG-PRO Series Subracks  
 EK&EG+PRO Series Subracks  
 BEK&BEG PRO Series Subracks  
 Handle specification and accessories  
 Guide rail specification and accessories  
 19"CUR Series Subracks  
 SNCF Series Subracks  
 Shielded plug-in units Series Subracks  
 VERO Series Subracks  
 Protective Series Subracks  
 CASE Series Subracks  
 Type A Series Subracks  
 Rugged Subracks Side panel  
 IN-S Series Subracks  
 Subracks Accessories  
 Panel component  
 Order no. and page Table

# Shielded plug-in units Series Subracks



## Framing shielded plug-in units



### 3U Framing shielded plug-in units

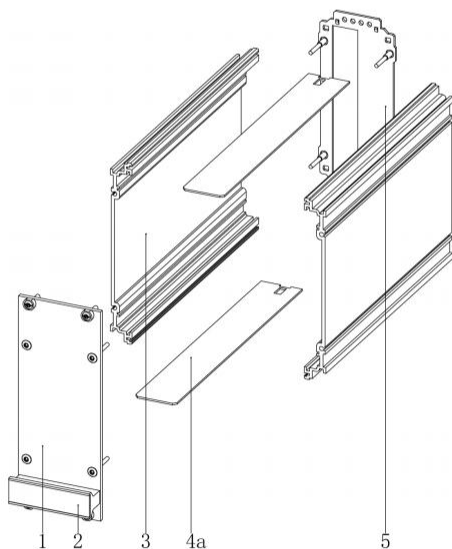
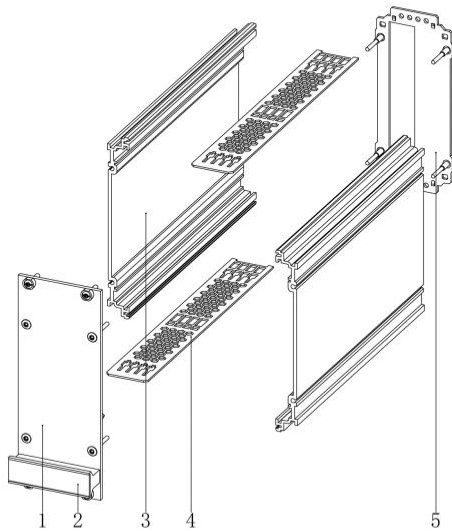
- For circuit board protection against physical damage and mechanical damage
- Front panel is shielded or unshielded
- Suitable for Subrack cases and instrument cases
- Use PCB board size: 100x160 or 100x220
- When using this Shielded plug-in units, the type of connector should comply with EN 60603 (DIN 41612), types: B, C, D, F, H, R standard

#### Delivery includes

Item	Qty	Description
1	1	Shielded: front panel with slots for contact strips
2	1	Handle, aluminum
3	1	Side panel, aluminum
4	1	Cover plate, aluminum, 1mm, Perforated
4a	1	Cover plate, aluminum, 1mm, Without holes
5	1	Rear panel, aluminum, 1.5mm
6	1	Assembly part kit with self-locking screws

#### Order information

Width A HP	Description	Model	Order no	Order no
			(Depth 167mm)	(Depth 227mm)
7	Shielded	Perforated	30716731	30722731
7	Shielded	Without holes	30716721	30722721
8	Shielded	Perforated	30816731	30822731
8	Shielded	Without holes	30816721	30822721
10	Shielded	Perforated	31016731	31022731
10	Shielded	Without holes	31016721	31022721
12	Shielded	Perforated	31216731	31222731
12	Shielded	Without holes	31216721	31222721
14	Shielded	Perforated	31416731	31422731
14	Shielded	Without holes	31416721	31422721
21	Shielded	Perforated	32116731	32122731
21	Shielded	Without holes	32116721	32122721
28	Shielded	Perforated	32816731	32822731
28	Shielded	Without holes	32816721	32822721
42	Shielded	Perforated	34216731	34222731
42	Shielded	Without holes	34216721	34222721

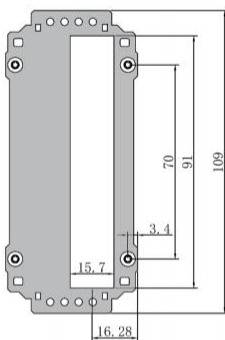
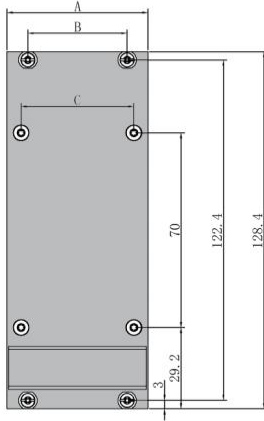


# Shielded plug-in units Series Subracks



## Framing shielded plug-in units

### Cut-Size



### Order information

Width A HP	Description	Model	Order no	Order no
			T (Depth167mm)	T (Depth227mm)
7	Unshielded	Perforated	30716730	30722730
7	Unshielded	Without holes	30716720	30722720
8	Unshielded	Perforated	30816730	30822730
8	Unshielded	Without holes	30816720	30822720
10	Unshielded	Perforated	31016730	31022730
10	Unshielded	Without holes	31016720	31022720
12	Unshielded	Perforated	31216730	31222730
12	Unshielded	Without holes	31216720	31222720
14	Unshielded	Perforated	31416730	31422730
14	Unshielded	Without holes	31416720	31422720
21	Unshielded	Perforated	32116730	32122730
21	Unshielded	Without holes	32116720	32122720
28	Unshielded	Perforated	32816730	32822730
28	Unshielded	Without holes	32816720	32822720
42	Unshielded	Perforated	34216730	34222730
42	Unshielded	Without holes	34216720	34222720

EK&EG PRO Series Subracks  
 EK&EG+PRO Series Subracks  
 BEK&BEG PRO Series Subracks  
 Handle specification and accessories  
 Guide-rail specification and accessories  
 19"CUR Series Subracks  
 SNCF Series Subracks  
 Shielded plug-in units Series Subracks  
 VERO Series Subracks  
 Protective Series Subracks  
 CASE Series Subracks  
 Type A Series Subracks  
 Rugged Subracks Side panel  
 IN-S Series Subracks  
 Subracks Accessories  
 Panel component  
 Order no. and page Table

# Shielded plug-in units Series Subracks

## Framing shielded plug-in units



### 6U Framing shielded plug-in units

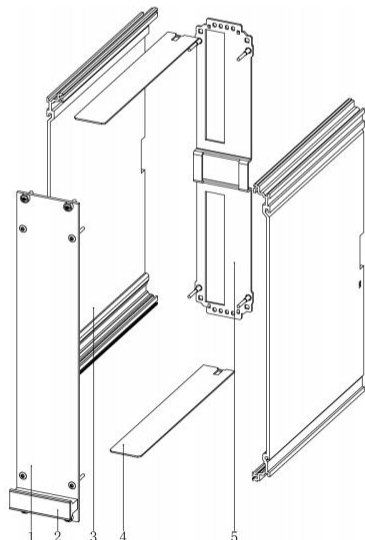
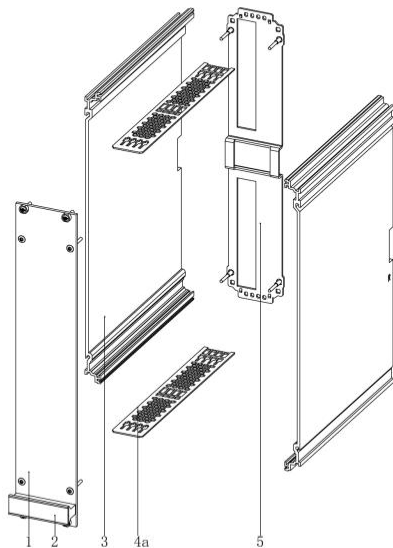
- For circuit board protection against physical damage and mechanical damage
- Front panel is shielded or unshielded
- Suitable for Subrack cases and instrument cases
- Use PCB board size: 100x160 or 100x220
- When using this Shielded plug-in units, the type of connector should comply with EN 60603 (DIN 41612), types: B, C, D, F, H, R standard

### Delivery includes

Item	Qty	Description
1	1	Shielded: front panel with slots for contact strips
2	1	Handle, aluminum
3	1	Side panel, aluminum
4	1	Cover plate, aluminum, 1mm, Perforated
4a	1	Cover plate, aluminum, 1mm, Without holes
5	1	Rear panel, aluminum, 1.5mm
6	1	Assembly part kit with self-locking screws

### Order information

Width A HP	Description	Model	Order no (Depth 167mm)	Order no (Depth 227mm)
7	Shielded	Perforated	60716731	60722731
7	Shielded	Without holes	60716721	60722721
8	Shielded	Perforated	60816731	60822731
8	Shielded	Without holes	60816721	60822721
10	Shielded	Perforated	61016731	61022731
10	Shielded	Without holes	61016721	61022721
12	Shielded	Perforated	61216731	61222731
12	Shielded	Without holes	61216721	61222721
14	Shielded	Perforated	61416731	61422731
14	Shielded	Without holes	61416721	61422721
21	Shielded	Perforated	62116731	62122731
21	Shielded	Without holes	62116721	62122721
28	Shielded	Perforated	62816731	62822731
28	Shielded	Without holes	62816721	62822721
42	Shielded	Perforated	64216731	64222731
42	Shielded	Without holes	64216721	64222721

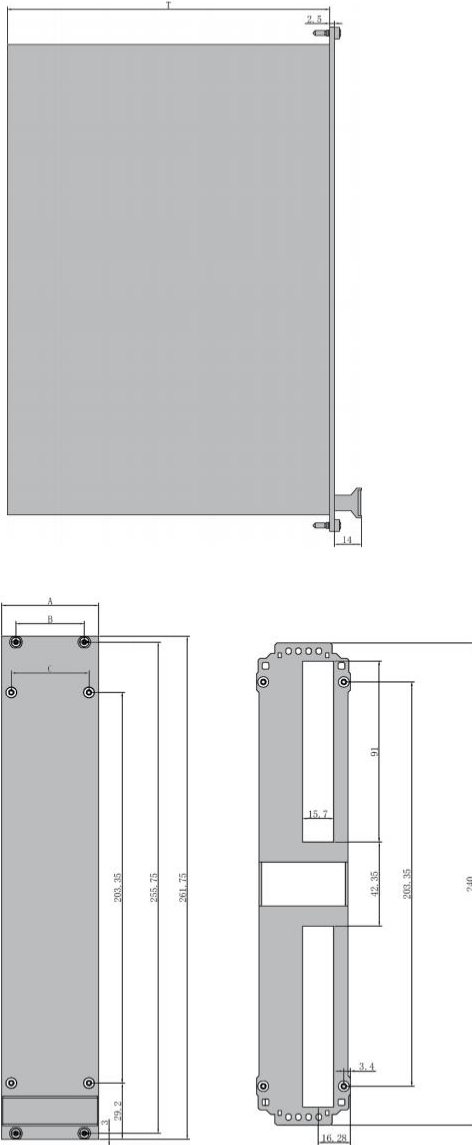


# Shielded plug-in units Series Subracks



## Framing shielded plug-in units

### Cut-Size



### Order information

Width A HP	Description	Model	Order no T (Depth167mm)	Order no T (Depth227mm)
7	Unshielded	Perforated	60716730	60722730
7	Unshielded	Without holes	60716720	60722720
8	Unshielded	Perforated	60816730	60822730
8	Unshielded	Without holes	60816720	60822720
10	Unshielded	Perforated	61016730	61022730
10	Unshielded	Without holes	61016720	61022720
12	Unshielded	Perforated	61216730	61222730
12	Unshielded	Without holes	61216720	61222720
14	Unshielded	Perforated	61416730	61422730
14	Unshielded	Without holes	61416720	61422720
21	Unshielded	Perforated	62116730	62122730
21	Unshielded	Without holes	62116720	62122720
28	Unshielded	Perforated	62816730	62822730
28	Unshielded	Without holes	62816720	62822720
42	Unshielded	Perforated	64216730	64222730
42	Unshielded	Without holes	64216720	64222720

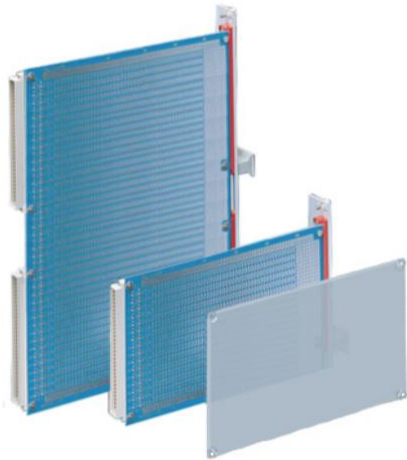
EK&EG-PRO Series Subracks  
EK+EG+PRO Series Subracks  
BEK&BEG-PRO Series Subracks  
Handle specification and accessories  
Guide rail specification and accessories  
19"CUR Series Subracks  
SNCF Series Subracks  
Shielded plug-in units Series Subracks  
VERO Series Subracks  
Protective Series Subracks  
CASE Series Subracks  
Type A Series Subracks  
Rugged Subracks Side panel  
IN-S Series Subracks  
Subracks Accessories  
Panel component  
Order no. and page Table



# Shielded plug-in units Series Subracks



## Printed board cover



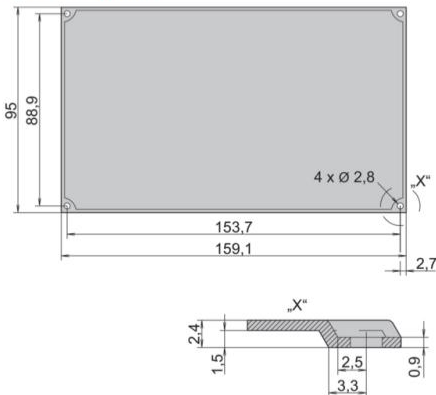
### Printed board cover

- Mechanical protection for PCB solder surfaces and EMC springs
- Fixing holes conform to CPCI or VME specifications

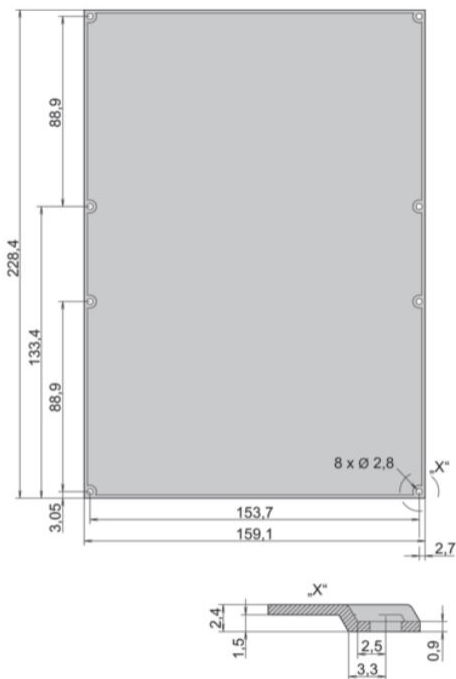
### Order information

Description	Order no
PCB cover (thickness 0.9 mm); for euroboards (100 x 160 mm), LCP, UL 94 V-0, white, transparent	1037009
PCB cover (thickness 0.9 mm); for euroboards (100 x 160 mm), LCP, UL 94 V-0, white, transparent	1037010

### 100x160mm



### 233.35x160mm



## Subracks Accessories

### Framing shielded plug-in units multi PCB board installation component

- Suitable for installation of multi PCB boards with module box width > 7HP

#### Framing shielded plug-in units Guide rail

- The guide rail can be installed on the upper/lower cover plate of the opening
- If you want to assemble a PCB from slot 2, this device is required
- The guide rail is suitable for module boxes 167 mm and 227 deep

#### PCB Board bracket

- Insert PCB into the guide rail of the Shielded plug-in units
- Fix the rear panel when installing it

#### PCB Rear board bracket

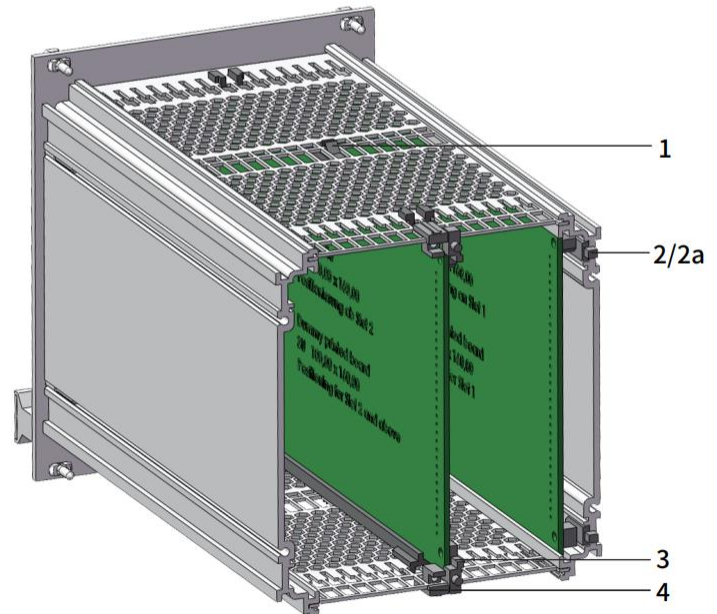
- Insert the PCB into the guide groove at the rear corner of the left or right board
- Fix the rear panel when installing it

#### Rear panel fasteners

- Suitable for plug-in device covers with guide rail perforations
- Used to improve EMC contact between the rear panel and cover plate

#### 2 Slot PCB mounting bracket

- Suitable for module boxes with guide rails



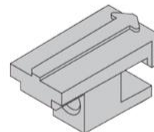
Framing shielded plug-in units guide rail



PCB Board bracket



PCB Rear board bracket



Rear panel fasteners



2 Slot PCB mounting bracket

### Delivery includes

Ltem	Name	Qty	Order no	Description
1	Framing shielded plug-in units guide rail	/	1001169	Shielded plug-in units fixed PCB board, PBT, UL, 94, V-0, red
2	PCB Rear board bracket(Top)	1	1015018	Fix the PCB board on the side panel, plastic
2	PCB Rear board bracket(Bottom)	1	1015019	Fix the PCB board on the side panel, plastic
2a	PCB Board bracket	2	1015022	Fix the PCB board on the side panel, Die-cast zinc
3	2 Slot PCB mounting bracket(Top)	1	1015024	Fix the rear panel when installing it, Die-cast zinc
3	2 Slot PCB mounting bracket(Bottom)	1	1015024	Fix the rear panel when installing it, Die-cast zinc
4	Rear panel fasteners	2	1015026	Used to connect the rear panel and cover plate, Die-cast zinc

EK&EG PRO Series Subracks

EK&EG+ PRO Series Subracks

BEK&BEG PRO Series Subracks

Handle specification and accessories

Guide rail specification and accessories

19" CUR Series Subracks

SNCF Series Subracks

Shielded plug-in units Series Subracks

VERO Series Subracks

Protective Series Subracks

CASE Series Subracks

Type A Series Subracks

Rugged Subracks Side panel

IN-S Series Subracks

Subracks Accessories

Panel component

Order no. and page table